



CN GB RU DE FR IT ES JP KR PL

# **TD410/ TD420/ TD430 Thermal Imaging Cameras Quickstart Guide**

Thank you for purchasing this product. Please read this Guide first and keep it properly for future reference.

The picture is for reference only, the product shall prevail in kind.

## - CONTENTS -

---

|           |   |         |
|-----------|---|---------|
| <b>CN</b> | TD410/ TD420/ TD430热成像仪快速操作手册.....  | 1-12    |
| <b>GB</b> | TD410/ TD420/ TD430 Thermal Imaging Cameras<br>Quickstart Guide.....                  | 13-28   |
| <b>RU</b> | Краткое руководство по эксплуатации<br>тепловизора серии TD410/ TD420/ TD430 .....    | 29-46   |
| <b>DE</b> | Kurzanleitung von<br>Wärmebildkamera TD410/ TD420/ TD430 .....                        | 47-64   |
| <b>FR</b> | Guide d'exploitation rapide pour les imageurs<br>thermiques TD410/ TD420/ TD430 ..... | 65-82   |
| <b>IT</b> | Guida Rapida per l'Uso della<br>Termocamera TD410/ TD420/ TD430.....                  | 83-100  |
| <b>ES</b> | Guía de operación rápida de la cámara<br>termográfica TD410/ TD420/ TD430 .....       | 101-118 |
| <b>JP</b> | TD410/ TD420/ TD430サーマルイメージャーの<br>クイックスタートガイド .....                                   | 119-133 |
| <b>KR</b> | TD410/ TD420/ TD430 열화상 카메라<br>빠른 사용 설명서.....   | 135-149 |
| <b>PL</b> | Skrócona instrukcja obsługi kamery<br>termowizyjnej serii TD410/TD420/TD430 .....     | 151-169 |

## - 重要说明 -

---

本手册为一个系列产品的通用手册，这意味着您收到的特定型号产品可能与手册图片存在差异，请以收到实物为准。

本用户手册是为方便用户使用和了解本公司产品而整理，我们将尽最大的努力保证本手册内容的准确性，但仍不能保证本手册内容的完备性，因为我们的产品一直在持续的更新和升级，本公司保留随时修改而不另行通知的权利。

## - FCC WARNING -

---

This equipment may generate or use radio frequency energy. Changes or modifications to this equipment may cause harmful interference unless the modifications are expressly approved in the instruction manual. The user could lose the authority to operate this equipment if an unauthorized change or modification is made.

This device complies with part 15 of the FCC Rules. Operation is subject to the following two conditions: (1) This device may not cause harmful interference, and (2) this device must accept any interference received, including interference that may cause undesired operation.

The device has been evaluated to meet general RF exposure requirement. The device can be used in portable exposure

condition without restriction.

NOTE: This equipment has been tested and found to comply with the limits for a Class B digital device, pursuant to part 15 of the FCC Rules. These limits are designed to provide reasonable protection against harmful interference in a residential installation. This equipment generates, uses and can radiate radio frequency energy and, if not installed and used in accordance with the instructions, may cause harmful interference to radio communications. However, there is no guarantee that interference will not occur in a particular installation. If this equipment does cause harmful interference to radio or television reception, which can be determined by turning the equipment off and on, the user is encouraged to try to correct the interference by one or more of the following measures:

- Reorient or relocate the receiving antenna.
- Increase the separation between the equipment and receiver.
- Connect the equipment into an outlet on a circuit different from that to which the receiver is connected.
- Consult the dealer or an experienced radio/TV technician for help.
- The rating information is located at the bottom of the unit.

## - 注意事项 -

---

### 危险

- 1) 请按照本手册中说明的方法为电池充电, 并请遵照充电步骤和注意事项。错误的充电会导致电池变热, 损坏甚至造成人体受伤。
- 2) 在任何时候都不要尝试打开或拆解电池, 一旦电池发生泄露导致液体进入人眼, 应该立刻用清水冲洗眼睛, 且进行医学护理。

### 警告

- 1) 在使用设备时请尽量保持稳定, 避免剧烈晃动。
- 2) 不要在超出设备许可的工作温度或储存温度环境中使用或存放仪器。
- 3) 不要将设备直接对准很高强度的热辐射源, 例如太阳, 激光器, 点焊机等。
- 4) 不要堵塞设备上的孔。
- 5) 不要敲打, 扔掷或震动仪器和配件, 以免造成损坏。
- 6) 请勿自行拆卸本机, 这有可能造成设备损坏, 并丧失保修权利。
- 7) 不要将有溶解性或类似的液体用于设备, 线缆, 这可能会导致设备的损坏。
- 8) 请不要在超过设备使用工作温度的环境下使用该设备, 这可能会造成设备的损坏。

9) 擦拭本设备时请遵照以下措施：

- 非光学表面：在必要时可以使用干净柔软的布擦拭热像仪的非光学表面。
- 光学表面：使用热像仪时请避免弄脏镜头的光学表面，特别要避免用手触碰镜头，因手上的汗迹会在镜头玻璃上留下痕迹且可能会腐蚀玻璃表面的光学镀膜层。当光学镜头表面受到污染时，使用专业镜头纸小心的擦拭。

10) 不要将电池置于高温环境或靠近高温物体。

11) 不要使电池的正负极短路。

12) 不要将电池置于潮湿环境或水中。

13) 禁止使用非原装适配器或充电器（具体以原装包装内实物为准）充电。

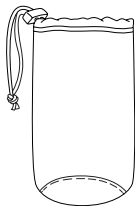
## 注意

- 1) 不要将设备暴露在灰尘或潮湿的环境中。在有水的环境中使用时，应避免水溅到仪器上。在不使用仪器时应盖上镜头盖。
- 2) 当不使用本设备时，请将仪器和所有配件放置在专用包装箱内。

## - 物品清单 -

配件：

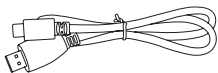
| 序号 | 名称          | 数量 |
|----|-------------|----|
| 1  | 携行包         | 1个 |
| 2  | 18650电池     | 1节 |
| 3  | Micro USB 线 | 1根 |
| 4  | 视频线         | 1根 |
| 5  | 手腕带         | 1根 |
| 6  | 18650充电器    | 1个 |



携行包



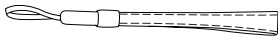
18650电池



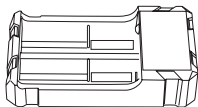
Micro USB 线



视频线



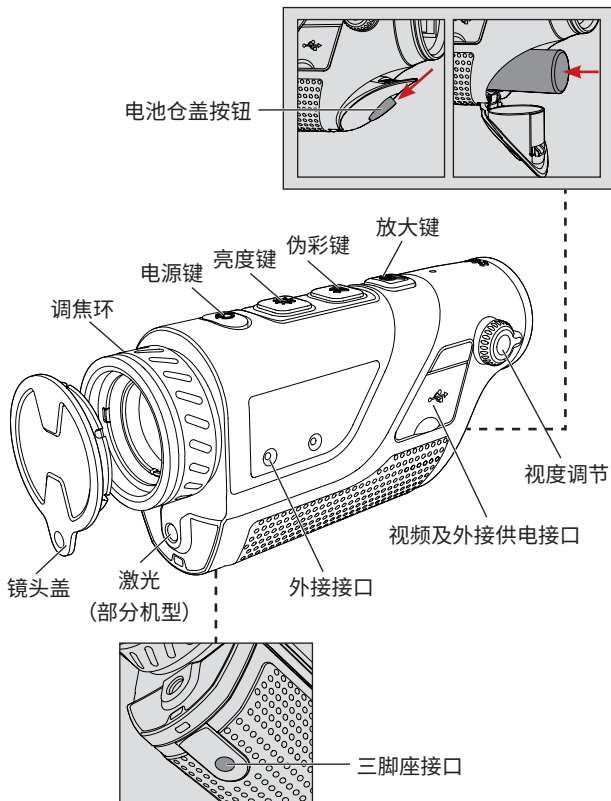
手腕带



18650充电器

## - 产品部件介绍 -

本手册适用于本系列多款机型,图示仅为其中一款机型。





## 1. 调焦环

热像仪开机后,应对准观察目标,当观察目标距离发生变化时,图像可能会出现模糊不清,应转动镜头调焦环重新聚焦,直到目标图像清晰。

## 2. 镜头盖

请在产品未使用时,盖上镜头盖,以保护镜头!

## 3. USB Type C接口

通过外部接口配套USB线,可连接外部电源,可对产品进行供电。

外部电源的输出规格为5V2A。

也可通过配套的视频线连接屏幕,将热像仪图像输出到外接监视器上显示。

## 4. 电池盖

当使用产品配套电池时,为拆装电池的入口。

按下电池仓盖按钮向下滑动,即可打开电池仓盖,按照正负极标识装入电池。

**⚠ 注:请按照图示方向装入电池,切勿强行推入。**

## 5. 三脚座接口

1/4英寸标准接口,可支持云台。

## - 快速操作说明 -

| 按键  | 当前设备状态        | 短按                       | 长按                  |
|-----|---------------|--------------------------|---------------------|
| 电源键 | 开机<br>(菜单未显示) | 补偿                       | Display off/关机      |
|     | 关机            | /                        | 开机                  |
| 亮度键 | 菜单栏未显示        | 切换屏幕<br>亮度               | 切换场景模式              |
|     | 菜单栏显示         | 切换菜单<br>选项               | /                   |
| 伪彩键 | 菜单栏未显示        | 切换伪彩                     | 进入菜单                |
|     | 菜单栏显示         | 当前选项确<br>认,同时返回<br>上一级菜单 | 不保存当前设置并返回<br>或退出菜单 |
| 放大键 | 菜单栏未显示        | 切换放大                     | 开启/关闭热点追踪           |
|     | 菜单栏显示         | 菜单移动                     | /                   |

**【按键说明】****1. 电源键**

- **开机**  
长按电源键,直至目镜中出现开机画,则设备开机成功。
- **关机**  
手动关机:长按电源键,显示关机进度条,持续至进度条5格后松开按键关机成功。  
自动关机:在设置的自动关机时间内,无任意键操作,则自动关机。
- **Display off**  
长按电源键,显示关机进度条,在进度条前4格,松开电源键,则取消关机,进入Display off模式。
- **Display on**  
在Display off模式下,按任意键,唤醒屏幕。
- **补偿**  
开机且处于菜单未调出状态时,短按开关机键,完成相应的补偿动作。

**2. 亮度键**

- **调节屏幕亮度**  
短按亮度,可切换屏幕亮度。
- **切换场景模式**  
长按亮度键,可切换设备场景模式。

### 3. 伪彩键

- **切换伪彩**

短按伪彩键,可切换白热、黑热、红热、铁红、蓝热。

- **菜单**

长按伪彩键,可进入菜单,处于菜单调出状态时,短按菜单键,当前选项确认,同时返回上一级菜单;长按菜单键,不保存当前设置并返回或退出菜单。

### 4. 放大键

- **放大**

开机且处于菜单未调出状态时,短按放大键,可切换放大倍率和画中画。

- **热点追踪**

长按可调节热点追踪开关。

## 【功能说明】

### 1. 视频输出

可打开或关闭设备视频输出开关。

### 2. WiFi

WiFi开关,当手机客户端和设备端连接后,可传输实时视频到手机端,可以通过APP端操作设备端。

**▲ 注:在手机端应用市场搜索并下载‘TargetIR’APP,打开APP,并在手机WiFi设置中找到‘HandHeld-TI-xxxx’的WiFi名称,输入密码‘12345678’,连接成功即可远程操作。**

### 3. 激光光标(部分机型)

可打开或切换红、黄、蓝激光光标。

### 4. 画面增强(部分机型)

画面增强开启时,可以增强目标突出的效果。

### 5. 图像对比度

可调节对比度,5个等级可调。

**▲注:对比度调节后的值会保存在当前场景模式。**

### 6. 图像亮度

可调节探测器亮度,5个等级可调。

**▲注:亮度调节后的值会保存在当前场景模式。**

### 7. 热点追踪

开启时显示一个白色十字光标,追踪全图最高温点。

### 8. 场景模式

可设置自然/增强/高亮三种场景模式。

### 9. 自动休眠

可设置自动休眠时间5/10/15分钟,设置时间内无任意操作,则进入休眠状态。

### 10. 自动关机

可设置自动关机时间15/30/60分钟,到设定的时间若无任意按键操作则进入关机倒计时,倒计时结束后关机。

### 11. 蓝牙

可设置设备蓝牙开关,打开开关后,可通过蓝牙遥控器控制设备。

### 12. 工作指示灯

可打开或关闭工作指示灯。

## -常见故障排除指南-

---

### 1. 设备无法开机

解决方法:更换电池或连接适配器供电

### 2. 使用过程中屏幕熄灭

解决方法:短按任意键唤醒休眠点亮屏幕

### 3. 使用时设备成像模糊不清

解决方法:转动镜头调焦环重新聚焦,直至显示清晰

## -贮存和运输-

---

下面是关于产品的正确贮存和运输方法。为预防危险、防止财产受到损失等,使用设备前请仔细阅读本产品说明书并在使用时严格遵守,阅读后请妥善保存说明书。

### 1. 贮存

- 经包装后的产品贮存环境为-30°C~60°C、相对湿度不超过95%、无凝结无腐蚀性气体、通风良好、清洁的室内。
- 请固定间隔3个月取出充电一次。

### 2. 运输

运输流通中应防雨淋、水浸、倒放,不应有剧烈振动和冲击,搬运过程中要小心轻放,严禁抛摔。

**- IMPORTANT -**

---

Thank you for choosing this product. Please read this guide before use and keep it for future reference. We hope you'll be satisfied with this product.

This guide is a general guide for a series of products, which means that the specific model you receive may differ from the picture in the guide. Please refer to the actual product you receive.

This user guide is organized for the convenience of users to use and understand our products. We will do our best to ensure the accuracy of the contents of this guide, however, we still cannot guarantee the completeness of the contents thereof. As our products are subject to continuous upgrading, we reserve the right to modify this guide from time to time without prior notice.

**- FCC WARNING -**

---

This equipment may generate or use radio frequency energy. Changes or modifications to this equipment may cause harmful interference unless the modifications are expressly approved in the instruction manual. The user could lose the authority to operate this equipment if an unauthorized change or modification is made.

This device complies with part 15 of the FCC Rules. Operation is subject to the following two conditions: (1) This device may not cause harmful interference, and (2) this device must accept any interference received, including interference that may cause undesired operation.

The device has been evaluated to meet general RF exposure requirement. The device can be used in portable exposure condition without restriction.

NOTE: This equipment has been tested and found to comply with the limits for a Class B digital device, pursuant to part 15 of the FCC Rules. These limits are designed to provide reasonable protection against harmful interference in a residential installation. This equipment generates, uses and can radiate radio frequency energy and, if not installed and used in accordance with the instructions, may cause harmful interference to radio communications. However, there is no guarantee that interference will not occur in a particular installation. If this equipment does cause harmful



interference to radio or television reception, which can be determined by turning the equipment off and on, the user is encouraged to try to correct the interference by one or more of the following measures:

- Reorient or relocate the receiving antenna.
- Increase the separation between the equipment and receiver.
- Connect the equipment into an outlet on a circuit different from that to which the receiver is connected.
- Consult the dealer or an experienced radio/TV technician for help.
- The rating information is located at the bottom of the unit.

**- PRECAUTIONS -**

---

**DANGER**

- 1) Please charge the battery with the method described in this Guide and follow the charging procedure and precautions. Improper battery charging will cause heating, damage and even physical injury.
- 2) Do not try to open or disassemble the battery at any time. Once the battery leaks and the spill enters the human eye, wash the eyes with clean water immediately and take medical care.

**WARNING**

- 1) When using the equipment, please try to keep it stable and avoid violent shaking;
- 2) Do not use or store the equipment in an environment that exceeds the allowable operating temperature or storage temperature;
- 3) Do not directly aim the equipment at high-intensity thermal radiation sources, such as the sun, lasers, spot welding machines, etc.;
- 4) Do not plug the holes on the equipment;
- 5) Do not knock, throw or vibrate instruments and

accessories to avoid damage;

- 6) Do not disassemble the machine by yourself, which may cause equipment damage and loss of warranty rights;
- 7) Do not use soluble or similar liquids on equipment and cables, which may cause damage to the equipment;
- 8) Please do not use the equipment in an environment that exceeds the operating temperature of the equipment, which may cause damage to the equipment;
- 9) Please observe the following measures when wiping this device:
  - Non-optical surface: Use clean and soft cloth to wipe the non-optical surface of the thermographic camera;
  - Optical surface: When using the thermographic camera, please avoid polluting the optical surface of the lens, especially avoid touching the lens with your hands, because the sweat on your hands will leave traces on the lens glass and may corrode the optical coating on the glass surface. When the surface of the optical lens is polluted, use special lens paper to wipe

it carefully;

- 10) Do not place the battery in a high temperature or near a high-temperature object;
- 11) Do not short circuit the positive and negative poles of the battery;
- 12) Do not expose the battery to moisture or water;
- 13) Do not use non-original adapters or chargers (the contents of the original packaging shall prevail).

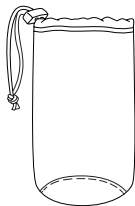


**NOTES:**

- 1) Do not expose the equipment to dust or moisture. Avoid water splashing to the equipment when being used in an environment with water. Cover the lens when not using the camera;
- 2) Please put the camera and all accessories in the special packaging box when not using it.

**- LIST OF PARTS -**

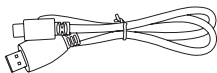
| Number | Items           | Qty |
|--------|-----------------|-----|
| 1      | BAG             | 1   |
| 2      | 18650 BATTERY   | 1   |
| 3      | MICRO USB CABLE | 1   |
| 4      | VIDEO CABLE     | 1   |
| 5      | WRIST STRAP     | 1   |
| 6      | 18650 CHARGER   | 1   |



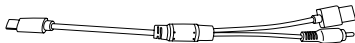
BAG



18650 CELL



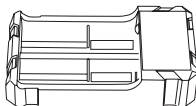
MICRO USB CABLE



VIDEO CABLE



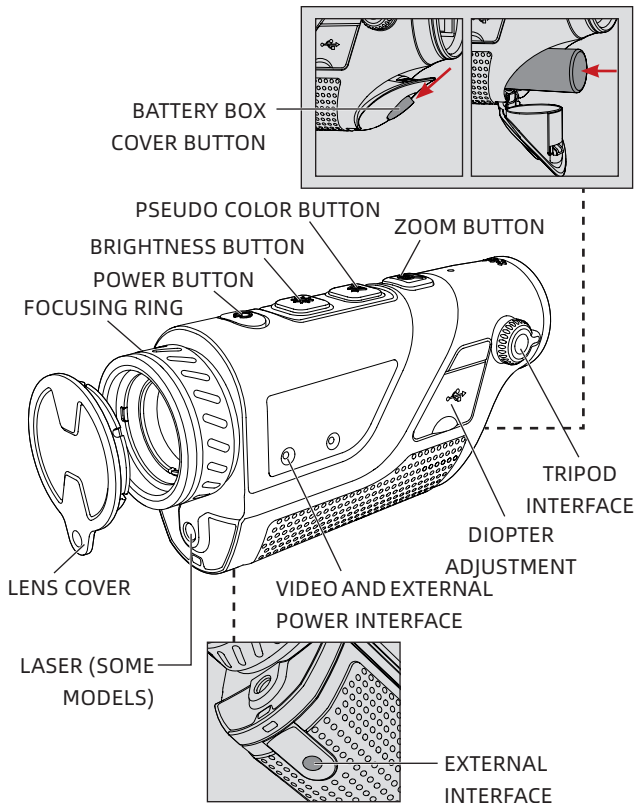
WRIST STRAP



18650 CHARGER

## - INTRODUCTION TO PRODUCT PARTS -

This guide is applicable to multiple products of this series, and the illustration is only for one of them.



## 1. FOCUSING RING

Focus the target after the thermographic camera is turned on. The image may appear blurry when the distance to the target changes. Turn the lens focusing ring to refocus until the target image sharpens.

## 2. LENS COVER

Please cover the lens when not using the product to protect the lens!

## 3. USB TYPE C PORT

Use the USB cable to connect external power via the external interface to supply power to the product.

The output specification of external power is 5V 2A.

You can also use the video cable to connect the screen to output the thermographic camera image to the external monitor.

## 4. BATTERY COVER

The battery cover is the entrance of battery disassembly and assembly when the product uses battery.

Press the battery box cover button and slide down to open the battery box cover and place the battery according to the positive and negative labels.

**⚠ Note: Please place the battery in the direction shown. Do not push in forcibly.**

## 5. TRIPOD INTERFACE

1/4 inches standard interface, supporting cloud platform.

**- QUICKSTART INSTRUCTIONS -**

| Button              | Current device status      | Short press   | Long press   |
|---------------------|----------------------------|---|--|
| Power button        | Power on (No menu display) | Compensation  | Display off/<br>Power off                                    |
|                     | Power off                  | /   | Power on   |
| Brightness button   | No menu display            | Switch screen brightness  | Switch the scene mode  |
|                     | Menu display               | Toggle menu options   | /  |
| Pseudo color button | No menu display            | Switch the pseudo color   | Enter menu   |
|                     | Menu display               | Confirm the current option and back to the previous menu at the same time | Do not save the current settings and return or exit the menu |
| Zoom button         | No menu display            | Switch the amplification level  | Turn on/<br>off hotspot tracking                             |
|                     | Menu display               | Move the menu   | /  |



**[ BUTTON DESCRIPTION ]****1. POWER BUTTON**

- **Power on**

Long-press the Power button until the boot screen appears in the eyepiece, then the device is turned on successfully.

- **Power off**

Manual power-off: Long-press the Power button to display the shutdown progress bar and release the button when 5 progress bars appear, and the shutdown is successful.

Automatic power off: If there is no button operation within the set automatic shutdown time, it will power off.

- **Display off**

Long-press the Power button to display the shutdown progress bar. Release the Power button before the 4 progress bars to cancel the shutdown and enter the Display off mode.

- **Display on**

In Display on mode, press any button to wake up the screen.

- **Compensation**

When it is turned on and the menu is not called

up, press the Power button briefly to complete the corresponding compensation action.

## **2. BRIGHTNESS BUTTON**

- **Adjust the screen brightness**

Short-press the Brightness button to switch the screen brightness.

- **Switch the scene mode**

Long-press the Brightness button to switch the scene mode.

## **3. PSEUDO COLOR BUTTON**

- **Switch the pseudo color**

Short-press the Pseudo color button to switch between White hot, Black hot, Red hot, Iron red and Blue hot.

- **Menu**

Long-press the Pseudo color button to enter the menu. When the menu is called up, short-press the Menu button to confirm the current option and return to the previous menu at the same time. Long-press the Menu button to return or exit the menu without saving the current settings.

## **4. ZOOM BUTTON**

- **Zoom in**

When it is turned on and the menu is not called up,

short-press the Zoom button to switch the zoom multiple and PIP.

- **Hotspot tracking**

Long-press to adjust the hotspot tracking switch.

## **[ FUNCTION DESCRIPTION ]**

### **1. VIDEO OUTPUT**

The video output switch can be turned on or off.

### **2. WIFI**

WiFi switch. When the mobile client and the device are connected, real-time videos can be transmitted to the mobile phone, the device can be operated through the APP.

**⚠ Note: Search and download the 'TargetIR' APP in the mobile application market, open the APP, and find 'HandHeld-TI-xxxx' in the WiFi settings of the mobile phone, enter the password '12345678', and the device can be operated remotely after the WiFi is successfully connected.**

### **3. LASER CURSOR (SOME MODELS)**

The red, yellow and blue laser cursor can be turned on or switched.

### **4. IMAGE ENHANCEMENT (SOME MODELS)**

When the Image Enhancement is enabled, it can enhance the effect of highlighting the target.

## **5. IMAGE CONTRAST**

The contrast can be adjusted from level 1 to 5.

**⚠ Note: The value after contrast adjustment will be saved in the current scene mode.**

## **6. IMAGE BRIGHTNESS**

The detector brightness can be adjusted from level 1 to 5.

**⚠ Note: The value after brightness adjustment will be saved in the current scene mode.**

## **7. HOTSPOT TRACKING**

A white crosshair will be displayed when it is enabled to track the spot with the highest temperature on the entire map.

## **8. SCENE MODE**

There are three scene modes can be set: Nature/Enhancement/Highlight.

## **9. AUTO SLEEP**

Auto sleep time can be set at 5/10/15min. If no operation is made within the set time, the camera will enter the sleep mode.

## **10. AUTO POWER-OFF**

Automatic power off time can be set at 15/30/60min. If no operation is made within the set time, a countdown to power off will appear and the camera will be powered

off when the countdown is over.

### **11. BLUETOOTH**

The Bluetooth can be turned on to control the device through Bluetooth remote control.

### **12. WORKING INDICATOR LAMP**

The working indicator lamp can be turned on or off.

## **- TROUBLESHOOTING -**

---

### **1. The device cannot be powered on**

Solution: Replace the battery or connect the adapter for power supply.

### **2. The screen goes black during use**

Solution: Short-press any button to wake up sleep and light up the screen.

### **3. The imaging of the device is blurred in use**

Solution: Turn the focus ring of the lens until the image sharpens.

## **- STORAGE AND TRANSPORTATION -**

---

The following is about the correct storage and transportation methods of the product. In order to prevent danger and property loss, please read this guide carefully before using the device and strictly observe it during use. Please keep this guide properly after reading.

### **Storage**

- The storage environment of packaged products is -30 °C ~ 60 °C, the relative humidity is not more than 95%, without condensation and corrosive gas, and is well ventilated and clean indoor.
- Please charge the thermographic camera once every 3 months.

### **Transportation**

The thermographic camera shall be protected from rain, water, inversion, violent vibration and impact during transportation, and shall be handled with care. Throwing is not allowed.

**- ВАЖНОЕ ПРИМЕЧАНИЕ -**

---

Благодарим вас за покупку этого продукта. Пожалуйста, прочтите настоящее руководство перед использованием. После прочтения сохраните его бережно для просмотра в будущем. Мы надеемся, что этот продукт соответствует вашим ожиданиям.

Настоящее руководство является унифицированным руководством для серии продуктов, это означает, что продукт конкретной модели, который вы получили, может отличаться от изображения в руководстве, пожалуйста, обратитесь к фактическому полученному продукту.

Настоящее руководство пользователя организовано для удобства пользователей в использовании и понимании продукта нашей компании. Мы сделаем все возможное, чтобы обеспечить точность содержания настоящего руководства, но все же не можем гарантировать полноту его содержания, т.к. наши продукты постоянно обновляются и улучшаются, компания оставляет за собой право вносить изменения в любое время без предварительного уведомления.

**- FCC WARNING -**

---

This equipment may generate or use radio frequency energy. Changes or modifications to this equipment may cause harmful interference unless the modifications are expressly approved in the instruction manual. The user could lose the authority to operate this equipment if an unauthorized change or modification is made.

This device complies with part 15 of the FCC Rules. Operation is subject to the following two conditions: (1) This device may not cause harmful interference, and (2) this device must accept any interference received, including interference that may cause undesired operation.

The device has been evaluated to meet general RF exposure requirement. The device can be used in portable exposure condition without restriction.

NOTE: This equipment has been tested and found to comply with the limits for a Class B digital device, pursuant to part 15 of the FCC Rules. These limits are designed to provide reasonable protection against harmful interference in a residential installation. This equipment generates, uses and can radiate radio frequency energy and, if not installed and used in accordance with the instructions, may cause harmful interference to radio communications. However, there is no guarantee that interference will not occur in a particular installation. If this equipment does cause harmful



interference to radio or television reception, which can be determined by turning the equipment off and on, the user is encouraged to try to correct the interference by one or more of the following measures:

- Reorient or relocate the receiving antenna.
- Increase the separation between the equipment and receiver.
- Connect the equipment into an outlet on a circuit different from that to which the receiver is connected.
- Consult the dealer or an experienced radio/TV technician for help.
- The rating information is located at the bottom of the unit.

## - Особые замечания -

---



### **Опасность**

- 1) Заряжайте аккумулятор в соответствии с методом, указанным в настоящем руководстве, и соблюдайте процедуру зарядки и замечания. Неправильная зарядка может вызвать нагрев, повреждение аккумулятора, а даже травму человека.
- 2) Ни в коем случае не пытайтесь вскрывать или разбирать батарею. Если батарея протекла и жидкость попала в глаза, немедленно промойте глаза чистой водой и обратитесь за медицинской помощью.

### **Предупреждение**



- 1) Держите устройство как можно более устойчивым и избегайте сильной тряски при его использовании;
- 2) Не используйте или храните прибор в среде с температурой, превышающей допустимую величину для его работы или хранения;
- 3) Не направляйте прибор прямо на источники интенсивного теплового излучения, такие как солнце, лазеры, точечные сварочные аппараты и т. д.;

- 4) Не закрывайте отверстия в приборе;
- 5) Не ударяйте, бросайте и трясите прибор и его принадлежности во избежание его повреждения;
- 6) Не разбирайте данный прибор самостоятельно, что может привести к его повреждению и потере права на гарантийный ремонт;
- 7) Избегайте работы прибора и его кабеля с растворимой или аналогичной жидкостью, что может привести к повреждению прибора;
- 8) Пожалуйста, не используйте данный прибор в среде с температурой, превышающей его рабочую величину, что может привести к повреждению прибора;
- 9) При протирании данного прибора соблюдайте следующие меры:
  - Неоптические поверхности: при необходимости протрите неоптические поверхности тепловизора чистой мягкой тканью;
  - В отношении оптической поверхности: избегайте загрязнения оптической поверхности объектива при использовании тепловизора, особенно не прикасайтесь к объективу руками, потому что пот на руках оставит следы на стекле объектива и может

вызвать коррозию оптического покрытия на стеклянной поверхности. Если поверхность оптического объектива загрязнена, осторожно протрите ее специальной оберточной бумагой для оптических стекол;

- 10) Не размещайте батарею в условиях высокой температуры или вблизи предметов с высокой температурой;
- 11) Не замыкайте накоротко положительный и отрицательный полюсы батареи;
- 12) Не помещайте батарею во влажную среду или воду;
- 13) Запрещается использовать для зарядки неоригинальные адаптеры или зарядные устройства (продукт зависит от фактического продукта в оригинальной упаковке).

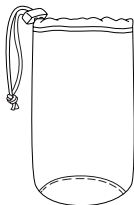


### **Внимание**

- 1) Не подвергайте прибор воздействию среды с пылью или влажной среды. При использовании в среде с водой избегайте брызг воды на прибор. Закройте крышку объектива, когда прибор не используется;
- 2) Когда данный прибор не используется, поместите его и все принадлежности в специальный упаковочный ящик.

**-Список предметов -**

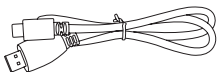
| №п.п. | Наименование        | Кол.  |
|-------|---------------------|-------|
| 1     | Сумка для переноски | 1 шт. |
| 2     | Батарея 18650       | 1 шт. |
| 3     | Кабель Micro USB    | 1 шт. |
| 4     | VIDEO CABLE         | 1 шт. |
| 5     | Кистевая лента      | 1 шт. |
| 6     | Зарядник 18650      | 1 шт. |



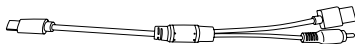
Сумка для переноски



Батарея 18650



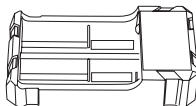
Кабель Micro USB



Видеокабель



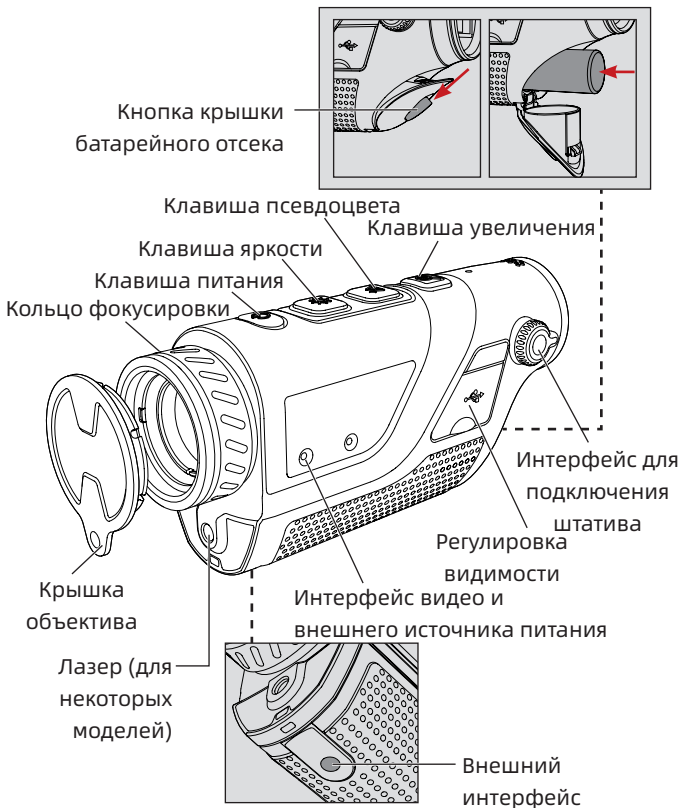
Кистевая лента



Зарядник 18650

## - ВВЕДЕНИЕ КОМПОНЕНТОВ ПРОДУКТА -

Настоящее руководство применимо ко многим моделям этой серии, а иллюстрация — только к одной из них.



## **1. Кольцо фокусировки**

После включения тепловизора его следует навести на цель наблюдения. При изменении расстояния до цели наблюдения изображение может быть размытым, при этом следует поворачивать кольцо фокусировки объектива для перефокусировки до тех пор, пока изображение цели не станет четким.

## **2. Крышка объектива**

Пожалуйста, закройте крышку объектива, когда продукт не используется, чтобы защитить объектив!

## **3. Интерфейс USB Type C**

Через внешний интерфейс, поддерживающий USB-кабель, его можно подключить к внешнему источнику питания и обеспечить питание на продукт.

Выходная спецификация внешнего источника питания составляет 5V2A.

Также можно подключить экран через комплектующий видеопровод для вывода изображения с тепловизора на внешний монитор для отображения.

## **4. Крышка батареи**

Когда продукт используется с батареей, эта ручка служит входом для разборки и сборки батареи.

Нажмите кнопку крышки батарейного отсека и сдвиньте вниз, чтобы открыть крышку батарейного

CN GB **RU** DE FR IT ES JP KR PL

отсека и вставьте батарею в соответствии со знаками положительного и отрицательного полюса.

**▲ Примечание: пожалуйста, вставьте батарею в направлении, показанном на рисунке, не нажимайте на нее насильственно.**

## **5. Интерфейс для подключения штатива**

Стандартный интерфейс 1/4 дюйма, может поддерживать облачную башню.



**- Краткая инструкция по эксплуатации -**

| Клавиша             | Текущее состояние устройства     | Недолгое нажатие  | Длительное нажатие  |
|---------------------|----------------------------------|---|---|
| Клавиша питания     | Включение (Меню не отображается) | Компенсация   | Отключение дисплея/ выключение                            |
|                     | Выключение                       | /   | Включение   |
| Клавиша яркости     | Строка меню не отображается      | Переключение яркости экрана   | Переключение режима сцены                                 |
|                     | Строка меню отображается         | Переключение опции меню   | /   |
| Клавиша псевдоцвета | Строка меню не отображается      | Переключение режима псевдоцвета                                       | Вход в меню   |
|                     | Строка меню отображается         | Подтверждение текущей опции и одновременный возврат в предыдущее меню | Возврат или выход из меню без сохранения текущих настроек |
| Клавиша увеличения  | Строка меню не отображается      | Переключение увеличения   | Включение/ выключение следования за горячими точками      |
|                     | Строка меню отображается         | Перемещение меню  | /   |

**[ Описание кнопки ]****1. Клавиша питания****• Включение**

Нажмите и удерживайте клавишу питания, пока в окуляре не появится загрузочное изображение, после чего устройство будет успешно включено.

**• Выключение**

Ручное выключение: нажмите и удерживайте клавишу питания, отобразится полоса загрузки выключения, и выключение завершено при опускании клавиши включения, когда полоса загрузки достигнет 5 делений.

Автоматическое выключение: в течение установленного времени автоматического выключения, если нет операции по любой клавише, устройство автоматически выключится.

**• Отключение дисплея**

Нажмите и удерживайте клавишу питания, чтобы отобразить полосу загрузки выключения, за 4 делений полосы отпустите клавишу питания, чтобы отменить выключение и войти в режим отключения дисплея.

**• Включение дисплея**

В режиме включения дисплея нажмите любую клавишу, чтобы пробуждать экран.

- **Компенсация**

Когда питание включено и меню не вызывается, коротко нажмите клавишу питания, чтобы завершить соответствующее действие компенсации.

## **2. Клавиша яркости**

- **Регулировка яркости экрана**

Коротко нажмите клавишу яркости, чтобы переключить яркость экрана.

- **Переключение режима сцены**

Нажмите и удерживайте клавишу яркости, чтобы переключить режим сцены устройства.

## **3. Клавиша псевдоцвета**

- **Переключение режима псевдоцвета**

Коротко нажмите клавишу псевдоцвета, чтобы переключиться между белым, черным, красным, железо-красным и синим режимами.

- **Меню**

Нажмите и удерживайте клавишу псевдоцвета, чтобы войти в меню. При вызове меню коротко нажмите клавишу меню, чтобы подтвердить текущую опцию и вернуться в меню предыдущего уровня; нажмите и удерживайте клавишу меню, чтобы вернуться или выйти из меню без сохранения текущих настроек.

## **4. Клавиша увеличения**

- **Увеличение**

Когда устройство включено и меню не вызывается, коротко нажмите клавишу увеличения, чтобы переключиться между коэффициентом увеличения и картинкой в картинке.

- **Следование за горячими точками**

Нажмите и удерживайте, чтобы отрегулировать включение и выключение следования за горячими точками.

### **[ Описание функции ]**

#### **1. Видеовыход**

Можно включить или выключить переключатель видеовыхода устройства.

#### **2. WiFi**

С помощью переключателя WiFi, когда мобильный клиент и устройство подключены, видео в реальном времени может передаваться на мобильный телефон, а устройством можно управлять через приложение.

**⚠ Примечание: Найдите и загрузите приложение «TargetIR» на рынке приложений для мобильных телефонов, откройте приложение и найдите имя WiFi «HandHeld-TI-xxxx» в настройках WiFi**

**мобильного телефона, введите пароль «12345678», таким образом, дистанционное управление может осуществляться при успешном соединении.**

### **3. Лазерный курсор (для некоторых моделей)**

Красные, желтые и синие лазерные курсоры можно включать или переключать.

### **4. Улучшение изображения (для некоторых моделей)**

Улучшение изображения: когда улучшение изображения включено, оно может усилить эффект выделения цели.

### **5. Контрастность изображения**

Можно регулировать контрастность, имеются 5 регулируемых уровней.

**⚠ Примечание: значение после регулировки контрастности будет сохранено в текущем режиме сцены.**

### **6. Яркость изображения**

Можно регулировать яркость детектора, имеются 5 регулируемых уровней.

**⚠ Примечание: значение после регулировки яркости будет сохранено в текущем режиме сцены.**

### **7. Следование за горячими точками**

Когда оно включено, белый перекрестный курсор отслеживает точку с самой высокой температурой в

сцене.

### **8. Режим сцены**

Можно установить три режима сцены: натур/увеличение/повышенная яркость.

### **9. Автоблокировка**

Можно установить автоблокировку на 5/10/15 минут. Если в течение установленного времени не выполняется никаких операций, устройство переходит в спящий режим.

### **10. Автоматическое выключение**

Можно установить время автоматического выключения на 15/30/60 минут. Если за установленное время не будет нажата никакая клавиша, устройство войдет в обратный отсчет выключения и выключится при окончании обратного отсчета.

### **11. Bluetooth**

Можно установить переключатель Bluetooth устройства, и после включения переключателя можно управлять устройством с помощью пульта дистанционного управления Bluetooth.

### **12. Рабочий индикатор**

Рабочий индикатор может быть включен или выключен.

## - Руководство по устранению типичных неисправностей -

---

### **1. Устройство не включается**

Решение: заменить батарею или подключить адаптер к источнику питания

### **2. Экран гаснет во время использования**

Решение: кратко нажмите любую клавишу, чтобы выйти из состояния покоя и зажечь экран.

### **3. Изображение устройства размыто при использовании**

Решение: поворачивайте фокусирующее кольцо объектива, чтобы сфокусироваться, пока отображение не станет четким.

## **- Хранение и транспортировка -**

---

Правильное хранение и транспортировка продукта заключаются в следующем. Во избежание опасности, повреждения потери имущества и т. д. внимательно прочитайте настоящее руководство перед использованием устройства и строго соблюдайте его во время использования. После прочтения сохраните настоящее руководство должным образом.

### **1. Хранение**

- Упакованные продукты должны быть хранены в хорошо проветриванном и чистом помещении с температурой  $-30^{\circ}\text{C}$  -  $60^{\circ}\text{C}$ , относительной влажностью не выше 95%, без конденсата и агрессивных.
- Пожалуйста, вынимайте его и заряжайте один раз с периодичностью в 3 месяца.

### **2. Транспортировка**

Во время транспортировки и обращения продукт должен быть защищен от дождя, погружения в воду и перевернутого положения, а также сильных вибраций и ударов. Будьте осторожны при перемещении, категорически запрещается бросать.



## - Wichtige Information -

---

Vielen Dank, dass Sie sich dieses Produkt gekauft haben. Bei Anwendung bitte lesen Sie erste die Anleitung. Bitte lassen Sie nach dem Lesen sorgfältig aufbewahren, damit später gefunden werden kann. Wir hoffen, dass dieses Produkt Ihre Erwartungen erfüllt.

Der Inhalt des Handbuchs beschreibt die allgemeinen Funktionen von einer Reihe der Produkte. Das bedeutet, dass das spezifische Produktmodell, das Sie gekauft haben, von der Abbildung im Handbuch abweichen kann. Die Bilder dienen nur als Referenz. Maßgebend ist das Produkt, Sie gekauft haben.

Das Benutzerhandbuch hat das Ziel, dass Kunden die Produkte von uns bequem verwenden und verstehen können. Wir haben es versucht, um die Genauigkeit des Inhalts dieses Handbuchs sicherzustellen, können jedoch nicht die Vollständigkeit des Inhalts dieses Handbuchs garantieren, da unsere Produkte werden kontinuierlich aktualisiert und updatet, daher halten wir uns das Recht vor, jederzeit ohne vorherige Ankündigung die Änderungen vorzunehmen.

**- FCC WARNING -**

---

This equipment may generate or use radio frequency energy. Changes or modifications to this equipment may cause harmful interference unless the modifications are expressly approved in the instruction manual. The user could lose the authority to operate this equipment if an unauthorized change or modification is made.

This device complies with part 15 of the FCC Rules. Operation is subject to the following two conditions: (1) This device may not cause harmful interference, and (2) this device must accept any interference received, including interference that may cause undesired operation.

The device has been evaluated to meet general RF exposure requirement. The device can be used in portable exposure condition without restriction.

NOTE: This equipment has been tested and found to comply with the limits for a Class B digital device, pursuant to part 15 of the FCC Rules. These limits are designed to provide reasonable protection against harmful interference in a residential installation. This equipment generates, uses and can radiate radio frequency energy and, if not installed and used in accordance with the instructions, may cause harmful interference to radio communications. However, there is no guarantee that interference will not occur in a particular installation. If this equipment does cause harmful

interference to radio or television reception, which can be determined by turning the equipment off and on, the user is encouraged to try to correct the interference by one or more of the following measures:

- Reorient or relocate the receiving antenna.
- Increase the separation between the equipment and receiver.
- Connect the equipment into an outlet on a circuit different from that to which the receiver is connected.
- Consult the dealer or an experienced radio/TV technician for help.
- The rating information is located at the bottom of the unit.

## - Bemerkungen -

---



### **Gefahr**

- 1) Der Akku muss gemäß der in diesem Handbuch beschriebenen Methode aufgeladen werden und bitte die Ladeschritte und Bemerkungen behandeln. Falsche Bedienung bei Aufladen kann sich der Akku erhitzen, beschädigt und sogar persönlich Schaden verursachen;
- 2) Die Batterie darf jederzeit nicht geöffnet oder zerlegt werden. Sobald die Batterie ausläuft und Flüssigkeit in die Augen gelangt, bitte sofort mit sauberem Wasser die Augen ausspülen und Arzt besuchen.



### **Verwarnung**

- 1) Bei Anwendung wird das Gerät stabil wie möglich gehalten werden, muss die Erschütterungen vermieden werden.
- 2) Es darf nicht das Gerät in einer Umgebung angewendet werden, die die zulässige Betriebs- oder Lagertemperatur des Geräts überschreitet;
- 3) Bitte anwenden Sie die Wärmebildkamera nicht für hochintensive Energiequellen, wie z.B. Sonne, Laser Geräte sowie Punktschweißanlage;

- 4) Die Löcher am Gerät darf nicht blockiert werden;
- 5) Kein Schlagen, Werfen oder Schütteln der Gerät und Zubehör durchführt, um Schäden zu vermeiden;
- 6) Es darf nicht, dass der Gerät abgebaut wird, da dies zu Schäden von Gerät erzeugen und Verlust der Garantie führen kann;
- 7) Der Gerät und Kabel darf nicht mit löslichen oder ähnlichen Flüssigkeiten berühren, die das Gerät beschädigen können;
- 8) Es darf nicht das Gerät in einer Umgebung angewendet werden, die die zulässige Betriebstemperatur des Geräts überschreitet;
- 9) Bei Reinigung von Gerät muss folgende Schritte befolgen:
  - kein-optische Oberflächen: die kein-optischen Oberflächen der Wärmebildkamera bei Bedarf mit einem sauberen, weichen Tuch abwischen;
  - Optische Oberfläche: Schmutzig von optischer Oberfläche des Objektivs von Wärmebildkamera vermeiden, insbesondere vermeiden das Objektiv mit den Händen zu berühren, da der Schweiß an Ihren Händen Spuren auf dem Linsenglas hinterlässt und die optische Beschichtung auf dem Glas korrodiert werden kann. Bei Verschmutzung muss die

Oberfläche der optischen Linse vorsichtig mit professionellem Linsenpapier abgewischt werden;

- 10) Die Batterie kann nicht in einer Umgebung mit hoher Temperatur oder in der Nähe eines Objekts mit hoher Temperatur platziert werden;
- 11) Die Plus- und Minuspole der Batterie darf nicht kurzgeschlossen werden;
- 12) Der Akku darf nicht in eine feuchte Umgebung oder in Wasser eingelegt werden;
- 13) Laden Sie es nicht mit einem nicht originalen Adapter oder Ladegerät (Insbesondere beziehen Sie sich bitte auf das tatsächliche Produkt in der Originalverpackung) auf.

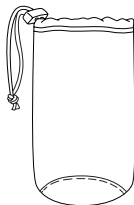


### **Bemerkung**

- 1) Das Gerät kann nicht in Staub oder Feuchtigkeit ausgesetzt werden. Die Anwendung in einer Wasserumgebung muss Wasserspritzer auf das Gerät vermeiden. Die Linse muss abgedeckt werden, wenn das Gerät nicht angewendet wird;
- 2) Wenn das Gerät nicht angewendet wird, muss das Gerät und alle Zubehör in eine spezielle Karton eingelegt werden.

**- Liste von Gegenständen -**

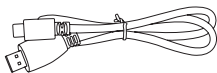
| Seriennummer | Name            | Anzahl |
|--------------|-----------------|--------|
| 1            | Tasche          | 1 Stk. |
| 2            | 18650er Akku    | 1 Stk. |
| 3            | Micro USB Kabel | 1 Stk. |
| 4            | Video kabel     | 1 Stk. |
| 5            | Armband         | 1 Stk. |
| 6            | 18650 Ladegerät | 1 Stk. |



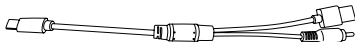
Tasche



18650er Akku



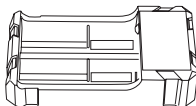
Micro USB Kabel



Video kabel



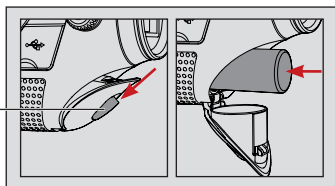
Armband



18650 Ladegerät

## - Produktkomponentenanleitung -

Dieses Handbuch gilt für viele Modelle dieser Serie. Das Bild zeigt nur eines davon.



Knopf für  
Batterieabdeckung

Taste für Pseudo

Taste für Helligkeit

Taste für Vergrößerung

Ein/Ausschalten

Fokussiererring

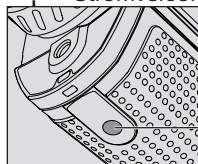
Schnittstelle  
für Stativ

Objektivabdeckung

Sichtweite  
Einstellung

Video- und externe  
Stromversorgungsschnittstelle

Laser  
(Je nach  
Modelle)



Externe  
Schnittstelle



## **1. Fokusring**

Nachdem die Wärmebildkamera eingeschaltet wurde, sollte sie auf das Beobachtungsziel eingerichtet werden. Wenn sich der Abstand zum Beobachtungsziel ändert, kann das Bild verschwommen sein. Mittels Drehung von Fokussiering des Objektivs ist Zielbild geklärt geworden.

## **2. Objektivdeckel**

Wenn das Produkt nicht angewendet wird, muss das Objektivdeckel abgedeckt werden, um das Objektiv zu schützen!

## **3. USB Typ C Schnittstelle**

Über das USB Kabel mit externer Schnittstelle kann es an eine externe Stromversorgung angeschlossen und das Produkt aufgeladen werden.

Die Ausgangsspezifikation des externen Netzteils beträgt 5V2A.

Mittels des mitgelieferten Videokabels kann das von Wärmebildkamera exportiertem Bild auf den externen Bildschirm transportiert werden.

## **4. Batterieabdeckung**

Bei Verwendung des mitgelieferten Akkus ist dies der Eingang zum Aus-/Anbau von Akku.

Die Taste der Batterieabdeckung drücken und nach unten schieben, kann die Batteriefachabdeckung geöffnet werden, und die Batterie gemäß den positiven

CN GB RU **DE** FR IT ES JP KR PL

und negativen Vorzeichen einlegen.

**⚠ Bemerkung: den Akku in der Richtung einlegen, die in der Abbildung dargestellt wird, darf nicht den Akku gewaltsam einschieben.**

## **5. Schnittstelle für Stativ**

1/4 Zoll Standardschnittstelle, Tragrahmen unterstützt.

**- Kurzanleitung -**

| Taste                     | aktueller Status                         | Kurze Klicken   | Langes Drücken   |
|---------------------------|--|---|--|
| Ein/<br>Ausschalten       | Einschalten<br>(Menü nicht<br>angezeigt) | kompensieren  | Displaz aus/<br>heruntergefahren   |
|                           | Ausschalten                              | /   | Einschalten  |
| Taste für<br>Helligkeit   | Menü nicht<br>angezeigt<br>wird          | Bildschirmhelligkeit<br>umschalten  | Szenario Modus<br>wechseln   |
|                           | Menü<br>angezeigt<br>wird                | Menüoptionen<br>umschalten  | /  |
| Taste für<br>Pseudo       | Menü nicht<br>angezeigt<br>wird          | Pseudo umschalten   | Menü eingehen  |
|                           | Menü<br>angezeigt<br>wird                | Die aktuelle Option<br>bestätigen und zum<br>vorherigen Menü<br>zurückgehen | das Menü<br>zurückgehen<br>oder verlassen,<br>ohne die<br>aktuellen<br>Einstellungen zu<br>speichern |
| Taste für<br>Vergrößerung | Menü nicht<br>angezeigt<br>wird          | Vergrößerung<br>umschalten  | Ein-/ausschalten<br>von Hotspot-<br>Nachverfolgung   |
|                           | Menü<br>angezeigt<br>wird                | Menü Bewegung   | /  |

**[Tastenbeschreibung]****1. Schalter**

- **Einschalten**

Beim langen Drücken von Schalter bis Boot-Bild im Okular ist das Gerät erfolgreich eingeschaltet.

- **Ausschalten**

Manuelles Herunterfahren: Nach langen Drücken von Schalter wird der Fortschrittsbalken für das Herunterfahren angezeigt. Nachdem der Fortschrittsbalken 5 Balken beträgt, wird das Gerät bei Freigabe von Schalter heruntergefahren.

Automatisches Herunterfahren: Innerhalb der eingestellten automatischen Abschaltzeit wird es automatisch heruntergefahren, wenn keine Betätigung erfolgt.

- **Display off**

Nach langen Drücken von Schalter wird der Fortschrittsbalken für das Herunterfahren angezeigt. Innerhalb des Fortschrittsbalkens 4 Balken bei Freigabe von Schalter beträgt, wird Herunterfahren abgesagt und das Gerät wechseln sich zu Display Aus Modus.

- **Display on**

Beim Drücken beliebige Taste im Display Aus Modus

ekann der Bildschirm aktiviert werden.

- **Kompensation**

Wenn das Gerät eingeschaltet ist und das Menü nicht aufgerufen wird, kann die entsprechende Kompensationsaktion bei kurz Klicken von Schalter durchgeführt werden

## **2. Taste für Helligkeit**

- **Einstellung von Bildschirmhelligkeit**

kurz Klicken Taste für Helligkeit, um die Bildschirmhelligkeit zu ändern.

- **Szenario Modus wechseln**

Beim langen Drucken von Helligkeitstaste kann das Szenario Modus gewechselt werden.

## **3. Taste für Pseudo**

- **Pseudo umschalten**

kurz Klicken Taste für Pseudo, kann es zwischen Weiß Hitze, Schwarz Hitze, Rot Hitze, Eisenrot und Blau Hitze gewechselt werden.

- **Menü**

Lange Drucken Taste für Pseudo kann das Menü angezeigt werden. Beim Abruf von Menü klicken kurz Menü Taste, kann die aktuelle Option bestätigt werden und zu vorherigen Menü zurückgehen; drücken Menü Taste, wird aktuelle Einstellung nicht

gespeichert und zurückgekehrt oder das Menü verlassen.

#### **4. Taste für Vergrößerung**

- **Vergrößerung**

Wenn das Gerät eingeschaltet ist und das Menü nicht aufgerufen ist, kann bei kurz klicken von Taste für Vergrößerung die Vergrößerungsfach und Bild im Bild umschaltet werden.

- **Hotspot-Nachverfolgung**

Beim langen Drucken kann die Hotspot-Nachverfolgung Schalter eingestellt werden.

#### **[ Bedienungsanleitung ]**

#### **1. Video Export**

Der Videoexportschalter des Geräts kann ein- oder ausgeschaltet werden.

#### **2. WiFi**

WiFi-Schalter, bei Verbindung von Handy APP und Gerät kann das Echtzeitvideo auf das Handy übertragen werden. Das Gerät kann über die APP bedient werden.

**⚠ Bemerkung: Das „TargetIR “ APP kann im Handy APP Store gesucht und herunterladen werden. Bei Öffnung von APP kann die WiFi Name „HandHeld-TI-xxxx “ im Handy WiFi Einstellung gesucht werden. Bei Eingabe von Password „12345678 “ wird die Verbindung**

geschlossen werden, damit kann das Gerät mittels Handy APP bedient werden.

### **3. Laseranzeiger (Je nach Modellen)**

Rote, gelbe und blaue Laseranzeiger können ein- oder umgeschaltet werden.

### **4. Bildverbesserung (Je nach Modellen)**

Wenn die Bildverbesserung eingeschaltet ist, kann sie den Effekt der Hervorhebung des Ziels verstärken.

### **5. Bildkontrast**

Einstellbarer Kontrast, 5 Stufen eingestellt werden kann.

**⚠️ Bemerkung: Der Wert nach der Kontrasteinstellung wird im aktuellen Szenario Modus gespeichert.**

### **6. Bildhelligkeit**

Einstellbare Detektorhelligkeit, 5 Stufen eingestellt werden kann.

**⚠️ Bemerkung: Der Wert nach der Helligkeitseinstellung wird im aktuellen Szenario Modus gespeichert.**

### **7. Hotspot-Nachverfolgung**

Zeigt ein weißes Fadenkreuz an, wenn es aktiviert ist, und wird der Punkt mit der höchsten Temperatur auf der Karte nachverfolgt.

### **8. Szenario Modus**

Es können drei Szenario Modus für Natur/Verstärker/Highlight eingestellt werden.

## **9. Automatischer Schlafzustand**

Die automatische Schlafzustand kann auf 5/10/15 Minuten eingestellt werden. Wenn innerhalb der eingestellten Zeit keine Bedienung erfolgt, wechselt das Gerät in den Schlafzustand.

## **10. Automatische Herunterfahren**

Das automatische Ausschalten kann auf 15/30/60 Minuten eingestellt werden. Wenn zur eingestellten Zeit keine Tastenbetätigung erfolgt, wird der Ausschalt Herunterzählen eingegeben und nach dem Herunterzählen heruntergefahren.

## **11. Bluetooth**

Der Bluetooth-Schalter des Geräts kann eingestellt werden, und bei Einschalten des Bluetooths kann das Gerät über die Bluetooth-Fernbedienung gesteuert werden.

## **12. Betriebsanzeiger**

Der Betriebsanzeiger kann ein- oder ausgeschaltet werden.



## **- Allgemeine Anleitung zur Fehlerbehebung -**

---

### **1. Das Gerät lässt sich nicht einschalten**

Lösung: Akku austauschen oder anschließen mit Adapter zu Stormversorgung

### **2. Bildschirm schaltet sich während der Anwendung aus**

Lösung: Bei kurz Klick beliebige Taste kann das Gerät von Schlafzustand aufgewachsen und der Bildschirm beleuchtet werden.

### **3. Das Gerätebild ist bei der Verwendung verschwommen**

Lösung: Mittels Drehung von Fokussiering des Objektivs um neu zu fokussieren, bis die Anzeige klar ist

## - Lagerung und Transport -

---

Im Folgenden geht es um die ordnungsgemäße Lagerung und den Transport des Produkts. Um Gefahren und Sachschäden vorzubeugen, bitte diese Anleitung vor Gebrauch des Gerätes sorgfältig durchlesen und sich während der Anwendung anhalten.

### **1. Lagerung**

- Die Lagerumgebung des verpackten Produkts beträgt -30 °C ~ 60 °C, die relative Luftfeuchtigkeit nicht 95 % überschreiten darf, keine Kondensation, kein korrosives Gas, gut belüfteter und sauberer Raum.
- Mindeste 3 Monaten einmal ausholen und aufladen.

### **2. Transport**

Während des Transports und der Zirkulation sollte es vor Regen, Eintauchen in Wasser und Umdrehen geschützt werden, und es sollte keine heftigen Vibrationen und Stöße geben.

## - Note importante -

---

Nous vous remercions d'avoir acheté ce produit, veuillez lire attentivement ce guide avant le début d'exploitation et bien conserver ce guide après votre lecture pour une consultation ultérieure. Nous espérons que ce produit pourra répondre à vos attentes.

Ce manuel est universel pour les produits de cette série, cela signifie que le produit spécifique que vous avez obtenu pourrait être plus ou moins différent que les illustrations présenté dans ce manuel, par conséquent, c'est le produit en nature qui fait foi.

Afin que l'utilisateur puisse comprendre et utiliser facilement nos produits, nous ferons le mieux pour s'assurer que la description dans ce guide est exacte, toutefois, nous ne pouvons pas garantir l'exhaustivité de son contenu, parce que nos produits sont constamment mis à jour et améliorés, et nous nous réservons le droit d'apporter des modifications à tout moment sans préavis.

**- FCC WARNING -**

---

This equipment may generate or use radio frequency energy. Changes or modifications to this equipment may cause harmful interference unless the modifications are expressly approved in the instruction manual. The user could lose the authority to operate this equipment if an unauthorized change or modification is made.

This device complies with part 15 of the FCC Rules. Operation is subject to the following two conditions: (1) This device may not cause harmful interference, and (2) this device must accept any interference received, including interference that may cause undesired operation.

The device has been evaluated to meet general RF exposure requirement. The device can be used in portable exposure condition without restriction.

NOTE: This equipment has been tested and found to comply with the limits for a Class B digital device, pursuant to part 15 of the FCC Rules. These limits are designed to provide reasonable protection against harmful interference in a residential installation. This equipment generates, uses and can radiate radio frequency energy and, if not installed and used in accordance with the instructions, may cause harmful interference to radio communications. However, there is no guarantee that interference will not occur in a particular installation. If this equipment does cause harmful

interference to radio or television reception, which can be determined by turning the equipment off and on, the user is encouraged to try to correct the interference by one or more of the following measures:

- Reorient or relocate the receiving antenna.
- Increase the separation between the equipment and receiver.
- Connect the equipment into an outlet on a circuit different from that to which the receiver is connected.
- Consult the dealer or an experienced radio/TV technician for help.
- The rating information is located at the bottom of the unit.

## - Consignes -

---

### **Danger**

- 1) Veuillez charger les piles suivant les méthodes, les étapes et les instructions indiquées dans ce manuel. Une charge incorrecte pourrait provoquer la surchauffe, l'endommagement des piles, même une blessure corporelle.
- 2) N'essayez jamais d'ouvrir ou de décomposer une pile, en cas d'une introduction du produit chimique dans l'œil causée par la fuite de la pile, il faut rincer immédiatement l'œil et recevoir un soin médical.

### **Avertissement**

- 1) Il convient de maintenir autant que possible la stabilité de l'appareil tout en évitant une oscillation forte lors de son fonctionnement ;
- 2) N'exploitez et stockez l'appareil dans un milieu où la température de service ou de stockage dépasse celle admissible ;
- 3) Ne pointez jamais directement l'appareil vers un foyer à fort rayonnement thermique, tel que le soleil, un laser ou une soudeuse à point, etc.
- 4) Ne bouchez jamais les trous de l'appareil ;

- 5) Veuillez ne pas frapper, ni jeter ou faire vibrer l'appareil et ses accessoires afin d'éviter leur dommage ;
- 6) Veuillez ne pas déposer sans autorisation cet appareil, sinon, il serait endommagé et vous risquez de perdre les droits de garantie ;
- 7) N'appliquez aucun liquide dissolvant ou similaire à l'appareil et au câble, cela pourrait endommager l'appareil ;
- 8) Veuillez ne pas exploiter cet appareil dans un milieu où la température dépasse celle de son fonctionnement, sinon, l'appareil serait endommagé ;
- 9) Lorsque vous essuyez l'appareil, veuillez respecter les mesures suivantes :
  - Surface non optique : vous pouvez essuyer la surface non optique de l'appareil si nécessaire à l'aide d'un chiffon propre et souple ;
  - Surface optique : lors d'exploitation de l'imageur thermique, veuillez éviter de polluer la surface optique de l'objectif, surtout il est interdit de toucher manuellement l'objectif parce que la trace de sueur de la main laissée sur le verre de l'objectif pourrait corroder le

revêtement optique sur sa surface. Lorsque la surface de l'objectif optique est polluée, il convient de l'essuyer soigneusement au moyen du papier spécial destiné à l'objectif.

- 10) Écartez les piles d'un milieu chaud ou d'un objet à haute température;
- 11) Ne court-circuitez pas les électrodes positive et négative de la pile;
- 12) Ne mettez pas les piles dans un milieu humide ou dans l'eau;
- 13) Il est interdit d'effectuer la recharge à l'aide d'un adaptateur ou d'un chargeur non original (veuillez vous référer à l'objet physique dans l'emballage d'origine).



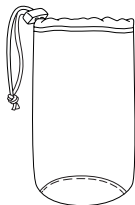
### **Attention**

- 1) N'exposez pas l'appareil à un milieu poussiéreux ou humide. Lors de l'exploitation dans un milieu en présence d'eau, il faut éviter la projection d'eau sur l'appareil. Veuillez monter le couvercle de l'objectif lorsque l'appareil est inutilisé ;
- 2) Lorsque l'imageur thermique est inutilisé, veuillez mettre cet appareil avec tous les accessoires dans la boîte d'emballage spécial.



**- Liste des articles -**

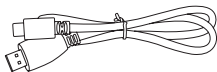
| No. | Désignation                            | Qté. |
|-----|--|------|
| 1   | Sac portable                           | 1    |
| 2   | Pile 18650                             | 1    |
| 3   | Câble Micro USB                        | 1    |
| 4   | Câble vidéo                            | 1    |
| 5   | Bracelet                               | 1    |
| 6   | Chargeur électrique pour la pile 18650 | 1    |



Sac portable



Pile 18650



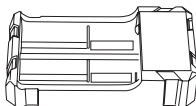
Câble Micro USB



Câble vidéo

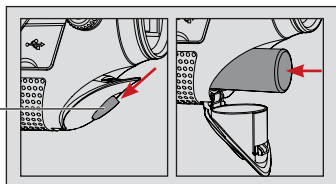


Bracelet

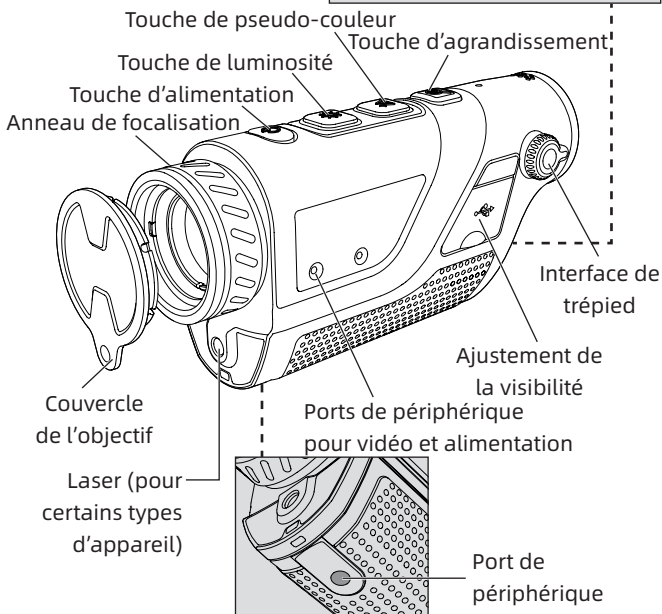
Chargeur électrique pour  
la pile 18650

## - Description des composants du produit -

Ce manuel est adaptable aux plusieurs types d'appareil de la série, les illustrations ne concernent qu'un des types.



Bouton du couvercle de compartiment à piles



## **1. Anneau de focalisation**

Après le démarrage de l'imageur thermique, il faut le pointer vers la cible à observer. Lorsque la distance de cible observée change, l'image pourra devenir floue, il convient à ce moment de tourner l'anneau de focalisation pour remettre au point focal jusqu'à obtenir une image claire.

## **2. Couvercle de l'objectif**

Veuillez monter le couvercle de l'objectif pour protéger le dernier lorsque le produit est inutilisé !

## **3. Port USB Type C**

A travers le câble USB associé connecté à l'interface extérieure, le produit peut être alimenté par une alimentation externe.

La spécification de sortie de l'alimentation externe est de 5V, 2A.

À travers le câble vidéo associé, l'appareil peut être connecté à un écran afin de transmettre l'image de l'imageur thermique à un moniteur périphérique.

## **4. Couvercle de compartiment à piles**

Lors de fonctionnement des piles associées au produit, ce couvercle joue un rôle d'accès pour le montage et le démontage des piles.

Appuyez sans relâcher le bouton du couvercle de compartiment à piles pour le faire glisser vers le bas

CN GB RU DE **FR** IT ES JP KR PL

pour l'ouvrir, montez les piles suivant les indications des électrodes positive et négative.

**⚠ N.B. : Veuillez installer les piles suivant le sens indiqué dans le schéma, un montage forcé doit être évité.**

## **5. Interface de trépied**

Il s'agit d'une interface standard de 1/4 pouce qui prend en charge une tête de support.

**- Description de l'exploitation rapide -**

| Touches                  | État actuel de l'appareil  | Appui court  | Appui long   |
|--------------------------|----------------------------|--|--|
| Touche d'alimentation    | Démarrage (Menu dissimulé) | Compensation   | Display off/ Arrêt   |
|                          | Arrêt                      | /  | Démarrage  |
| Touche de luminosité     | Barre de menu dissimulée   | Changement de luminosité de l'écran                            | Changement du mode de scène  |
|                          | Barre de menu affiché      | Changement d'option de menu                                    | /  |
| Touche de pseudo-couleur | Barre de menu dissimulée   | Changement du mode de pseudo-couleur                           | Accès au menu  |
|                          | Barre de menu affiché      | L'option actuelle est validée avec le retour au menu précédent | Les paramètres actuellement réglés ne sont pas enregistrés avec/ou la sortie du menu |
| Touche d'agrandissement  | Barre de menu dissimulée   | Changement du niveau d'agrandissement                          | Activation/désactivation de la poursuite de point chaud                              |
|                          | Barre de menu affiché      | Déplacement des options de menu                                | /  |

**[ Description des touches ]****1. Touche d'alimentation**

- **Démarrage**

Appuyez longuement sur la touche d'alimentation jusqu'à ce que l'image de démarrage se présente sur l'écran de l'oculaire, l'imageur thermique démarre avec succès.

- **Arrêt**

Arrêt manuel : appuyez longuement sur la touche d'alimentation, la barre d'avancement de l'arrêt se présente, l'arrêt est réalisé après avoir libéré la touche lorsque toutes les 5 sections de la barre sont remplies.

Arrêt automatique : l'appareil s'arrête automatiquement lorsqu'aucune opération de touche n'est effectuée pendant la période prédéfinie de temporisation d'arrêt automatique.

- **Display off:**

Appuyez longuement sur la touche d'alimentation, la barre d'avancement de l'arrêt se présente, libérez la touche d'alimentation lorsque les 4 sections de la barre sont remplies, l'arrêt est annulé, l'état Display off est activé.

- **Display on:**

Dans l'état Display off, il suffit d'appuyer sur n'importe quelle touche pour réveiller l'écran.

- **Compensation**

Après le démarrage et avant l'appel de menu, appuyez brièvement sur la touche Démarrage/ Arrêt pour réaliser l'opération de compensation correspondante.

## **2. Touche de luminosité**

- **Ajustement de la luminosité de l'écran**

Appuyez brièvement sur la touche de luminosité pour changer la luminosité de l'écran.

- **Changement du mode de scène**

Appuyez longuement sur la touche de luminosité pour changer le mode de scène.

## **3. Touche de pseudo-couleur**

- **Changement du mode de pseudo-couleur**

Appuyez brièvement sur la touche pour changer la pseudo-couleur parmi les options suivantes : la chaleur blanche, la chaleur noire, la chaleur rouge, la chaleur rouge de fer et la chaleur bleue.

- **Menu**

Appuyez brièvement sur la touche de pseudo-couleur pour accéder au menu, lorsque le menu

n'est pas appelé, appuyez brièvement sur la touche de menu, l'option actuelle est validée et un retour au menu précédent est réalisé simultanément ; appuyez longuement sur la touche de menu, les paramètres actuels ne sont pas enregistrés avec un retour ou une sortie du menu.

#### **4. Touche d'agrandissement**

- **Agrandissement**

Après le démarrage et avant l'appel de menu, appuyez brièvement sur la touche d'agrandissement pour changer le grossissement d'agrandissement et pour activer le mode Image dans image.

- **Poursuite de point chaud**

Appuyez longuement sur la touche pour régler l'interrupteur de la poursuite de point chaud.

#### **[ Description des fonctions ]**

##### **1. Sortie de vidéo**

Elle permet d'activer ou de désactiver l'interrupteur de la sortie de vidéo de l'appareil.

##### **2. Wifi**

Il s'agit de l'interrupteur de Wifi. Lorsque le client d'un téléphone mobile est connecté à l'appareil, la vidéo en temps réel peut être transmise au client du téléphone portable. En outre, vous pouvez opérer l'appareil à



travers l'APP.

- ▲ N.B. : Recherchez et téléchargez l'APP « TargetIR » dans le marché d'APP de votre téléphone mobile, démarrez cette APP, trouvez la référence de WiFi nommée « Handheld-TI-xxxx » dans le réglage WiFi de votre téléphone mobile, saisissez le mot de passe « 12345678 » pour une télé-opération après la connexion.**

### **3. Laser (pour certains types d'appareil)**

Il permet d'activer le réticule laser ou le changer parmi les options suivantes : le réticule rouge, le réticule jaune et le réticule bleu.

### **4. Image accentuée (pour certains types)**

Lorsque cette fonction est activée, l'image de la cible pourra être accentuée.

### **5. Contraste de l'image**

Le contraste est réglable dans une échelle de 0 à 5 degrés.

- ▲ N.B. : La valeur réglée de contraste sera sauvegardée pour le mode de scène actuel.**

### **6. Luminosité de l'image**

La luminosité du détecteur est réglable dans une échelle de 0 à 5 degrés.

- ▲ N.B. : La valeur réglée de luminosité sera sauvegardée pour le mode de scène actuel.**

## **7. Poursuite de point chaud**

Lorsqu'elle est activée, un réticule lumineux blanc s'affiche afin de poursuivre le point le plus chaud dans l'ensemble de l'image.

## **8. Mode de scène**

Trois modes de scènes sont disponibles à définir, soit le mode naturel, le mode accentué et le mode surbrillant.

## **9. Veille automatique**

L'utilisateur est libre de définir la période de temporisation de veille automatique parmi 5/10/15 minutes, l'appareil entre en veille lorsqu'aucune opération n'est effectuée pendant la période prédéfinie.

## **10. Arrêt automatique**

L'utilisateur est libre de définir la période de temporisation d'arrêt automatique parmi 15/30/60 minutes, l'appareil est arrêté lorsqu'aucune opération n'est effectuée pendant la période prédéfinie.

## **11. Bluetooth**

L'utilisateur est libre de définir l'interrupteur de Bluetooth, après avoir activé cet interrupteur, il pourra contrôler l'appareil à l'aide de la télécommande Bluetooth.

## **12. Témoin de service**

Il permet d'allumer ou d'éteindre le témoin de service.

## - Guide pour éliminer des défauts courants -

---

### **1. Démarrage impossible de l'appareil**

Solution : Remplacez la pile ou chargez l'appareil à l'aide d'un adaptateur.

### **2. L'écran s'éteint au cours de l'exploitation**

Solution : Appuyez brièvement sur n'importe quelle touche pour réveiller l'écran en veille.

### **3. L'image est floue lors d'exploitation de l'appareil**

Solution : Tournez l'anneau de focalisation de l'objectif pour remettre au point jusqu'à obtenir une image claire.

## - Stockage et transport -

---

Les dispositions citées ci-dessous concernent les méthodes pertinentes du stockage et du transport du produit. Afin de prévenir tout danger, toute perte des biens, vous êtes prié de lire soigneusement ce manuel et respecter strictement ses dispositions au cours de l'exploitation. Après la lecture, veuillez conserver bien le manuel.

### **1. Stockage**

- Les conditions du milieu de stockage pour un produit emballé sont comme ce qui suit : la température -30°C à 60°C, l'humidité relative 95% au maximum, un espace intérieur exempt de condensat, de gaz corrosif, bien aéré et propre.
- Veuillez retirer les piles tous les 3 mois pour une recharge.

### **2. Transport**

Au cours de transport, il faut prévenir contre la pluie, l'inondation, le renversement. De plus, il faut opérer doucement pendant la manutention sans que l'appareil ne subisse une forte vibration et un choc, la projection du produit est interdite.

**- Importante -**

---

Grazie per aver acquistato questo prodotto. Si prega di leggere questo manuale di istruzioni prima di usarlo. Dopo averlo letto, si prega di conservarlo con cura per riferimenti futuri. Ci auguriamo che questo prodotto soddisfi le vostre aspettative.

Questo manuale è un manuale generale per una serie, il che significa che il modello specifico dei prodotti che ricevi potrebbe essere diverso dall'immagine nel manuale, fare riferimento al prodotto effettivo ricevuto.

Questo manuale utente è organizzato per la comodità degli utenti di utilizzare e comprendere i prodotti dell'azienda, faremo del nostro meglio per garantire l'accuratezza del contenuto di questo manuale, ma non possiamo comunque garantire la completezza del contenuto di questo manuale, perché i nostri prodotti sono stati continuati ad aggiornare, quindi la nostra azienda si riserva il diritto di apportare modifiche in qualsiasi momento senza preavviso.

**- FCC WARNING -**

---

This equipment may generate or use radio frequency energy. Changes or modifications to this equipment may cause harmful interference unless the modifications are expressly approved in the instruction manual. The user could lose the authority to operate this equipment if an unauthorized change or modification is made.

This device complies with part 15 of the FCC Rules. Operation is subject to the following two conditions: (1) This device may not cause harmful interference, and (2) this device must accept any interference received, including interference that may cause undesired operation.

The device has been evaluated to meet general RF exposure requirement. The device can be used in portable exposure condition without restriction.

NOTE: This equipment has been tested and found to comply with the limits for a Class B digital device, pursuant to part 15 of the FCC Rules. These limits are designed to provide reasonable protection against harmful interference in a residential installation. This equipment generates, uses and can radiate radio frequency energy and, if not installed and used in accordance with the instructions, may cause harmful interference to radio communications. However, there is no guarantee that interference will not occur in a particular installation. If this equipment does cause harmful

interference to radio or television reception, which can be determined by turning the equipment off and on, the user is encouraged to try to correct the interference by one or more of the following measures:

- Reorient or relocate the receiving antenna.
- Increase the separation between the equipment and receiver.
- Connect the equipment into an outlet on a circuit different from that to which the receiver is connected.
- Consult the dealer or an experienced radio/TV technician for help.
- The rating information is located at the bottom of the unit.

**- Avvertenze -**

---

**Pericolo**

- 1) Caricare la batteria secondo il metodo descritto in questo manuale e seguire la procedura di carica e le precauzioni. Una carica errata può causare il surriscaldamento e il danneggiamento della batteria o addirittura causare lesioni personali.
- 2) Non tentare mai di aprire o smontare la batteria. Se la batteria perde e causa la penetrazione di liquido negli occhi, sciacquare immediatamente gli occhi con acqua pulita e consultare un medico.

**Avvertimento**

- 1) Quando si utilizza l'apparecchiatura, cercare di mantenerla stabile ed evitare violenti scuotimenti;
- 2) Non utilizzare o conservare lo strumento in un ambiente che ecceda la temperatura di esercizio o di conservazione consentita dall'apparecchiatura;
- 3) Non puntare il dispositivo direttamente verso sorgenti di radiazione termica ad alta intensità, come sole, laser, puntatrici, ecc.;
- 4) Non ostruire i fori del dispositivo;
- 5) Non urtare, lanciare o scuotere lo strumento e gli



accessori per evitare danni;

- 6) Non smontare l'unità da soli, ciò potrebbe causare danni all'apparecchiatura e la perdita dei diritti di garanzia;
- 7) Non utilizzare liquidi solubili o simili sull'apparecchiatura, sui cavi, che potrebbero causare danni all'apparecchiatura;
- 8) Non utilizzare l'apparecchiatura in un ambiente che supera la temperatura di esercizio dell'apparecchiatura, che potrebbe causare danni all'apparecchiatura;
- 9) Seguire questi passaggi durante la pulizia del dispositivo:
  - Superficie non ottica: la superficie non ottica della termocamera può essere pulita con un panno morbido e pulito, se necessario;
  - Superficie ottica: quando si utilizza la termocamera, evitare di sporcare la superficie ottica dell'obiettivo. In particolare, evitare di toccare l'obiettivo con le mani, perché il sudore delle mani lascerà tracce sul vetro dell'obiettivo e potrebbe corrodere lo strato di rivestimento ottico sulla superficie del vetro. Quando la superficie della lente ottica è contaminata,

pulirla accuratamente con carta per lenti professionale;

- 10) Non posizionare la batteria in un ambiente ad alta temperatura o vicino a un oggetto ad alta temperatura;
- 11) Non cortocircuitare il polo positivo e negativo della batteria;
- 12) Non mettere la batteria in ambienti umidi o in acqua;
- 13) Non caricare con adattatore o caricatore non originale (In particolare, fare riferimento al prodotto reale nella confezione originale).



### **Attenzione**

- 1) Non esporre il dispositivo a polvere o umidità. Quando lo si utilizza in un ambiente con acqua, evitare di spruzzare acqua sullo strumento. Coprire la lente quando lo strumento non è in uso;
- 2) Quando il dispositivo non è in uso, riporre lo strumento e tutti gli accessori nell'apposita scatola di imballaggio.

**- Elenco di elementi -**

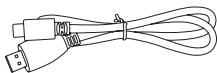
| Numero d'ordine | Nome                   | Quantità |
|-----------------|------------------------|----------|
| 1               | Borsa per il trasporto | 1        |
| 2               | Batteria 18650         | 1        |
| 3               | Cavo Micro USB         | 1        |
| 4               | Cavo video             | 1        |
| 5               | Cinturino da polso     | 1        |
| 6               | Caricabatterie 18650   | 1        |



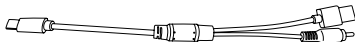
Borsa per il trasporto



Batteria 18650



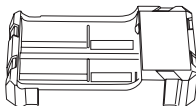
Cavo Micro USB



Cavo video



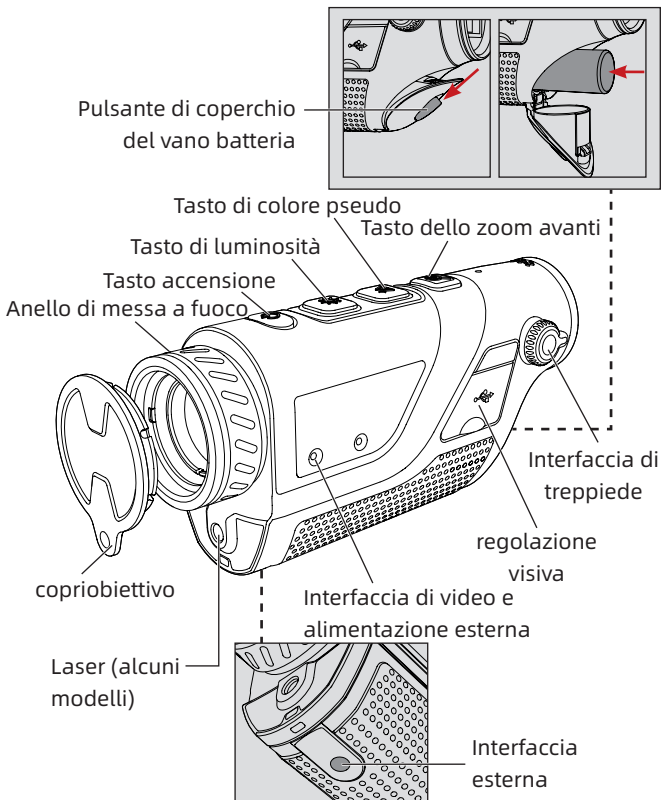
Cinturino da polso



Caricabatterie 18650

## - Introduzione ai componenti del prodotto -

Questo manuale è applicabile a molti modelli di questa serie. La figura mostra un solo modello.



## **1. Anello di messa a fuoco**

Dopo l'accensione, la termocamera deve essere puntata sul target di osservazione. Quando la distanza del target di osservazione cambia, l'immagine potrebbe non essere chiara. L'anello di messa a fuoco dell'obiettivo deve essere ruotato per rimettere a fuoco finché l'immagine target non è nitida.

## **2. Copriobiettivo**

Coprire il copriobiettivo quando il prodotto non è in uso per proteggere l'obiettivo!

## **3. Interfaccia USB Type C**

È possibile collegare un alimentatore esterno al prodotto tramite l'interfaccia esterna con il corrispondente cavo USB.

La specifica di uscita dell'alimentatore esterno è 5V2A.

Si può anche collegare lo schermo con il cavo video di supporto, trasmettendo e visualizzare l'immagine della termocamera al monitor esterno.

## **4. Coperchio della batteria**

È l'ingresso di montare o smontare la batteria per il caso di cui si usa la batteria dotata con il prodotto.

Premere il tasto del coperchio del vano batteria e farlo scorrere verso il basso per aprirlo e installare la batteria seguendo i segni di polo positivo e negativo.

**⚠ Nota: inserire la batteria nella direzione mostrata in**

CN GB RU DE FR **IT** ES JP KR PL

**figura, non spingerla con forza.**

## **5. Interfaccia per treppiedi**

Interfaccia standard da 1/4 pollici, che supporta il PTZ.

**- Istruzioni rapide per l'uso -**

| Pulsante                | Stato attuale dell'apparecchiatura  | Pressione breve   | Pressione a lungo  |
|-------------------------|-------------------------------------|---|--|
| Tasto accensione        | Accesione (Menu non'è visualizzato) | Compensazione   | Display off/ spegnimento   |
|                         | Spegnimento                         | /   | Accesione  |
| Tasto di luminosità     | La barra di menu non visualizza     | Commutare la luminosità dello schermo                                 | Regolare la messa a fuoco lontana                                |
|                         | La barra di menu visualizza         | Commutare le opzioni del menu   | /  |
| Tasto di colore pseudo  | La barra di menu non visualizza     | Cambia pseudo colore  | Entrare nel menu   |
|                         | La barra di menu visualizza         | Confermare l'opzione corrente e tornare al menu di livello precedente | Non salvare le impostazioni correnti e tornare o uscire dal menu |
| Tasto dello zoom avanti | La barra di menu non visualizza     | Commutare lo zoom avanti  | Regolare la messa a fuoco vicina                                 |
|                         | La barra di menu visualizza         | Spostare il menu  | /  |

**[ Descrizione dei tasti ]****1. Tasto accensione**

- **Accensione**

Tenere premuto il tasto di alimentazione finché l'immagine di accensione è visualizzata nell'oculare, indicando che il dispositivo si accende con successo.

- **Spegnimento**

Spegnimento manuale: tenere premuto il tasto di accensione, viene visualizzata la barra di avanzamento dello spegnimento, continuare finché la barra di avanzamento non raggiunge 5 barre, rilasciare il tasto per spegnere correttamente il dispositivo.

Spegnimento automatico: se non viene eseguita alcuna operazione su tasto qualsiasi entro il tempo di spegnimento automatico impostato, si spegnerà automaticamente.

- **Display off**

Tenere premuto il tasto di accensione per visualizzare la barra di avanzamento dello spegnimento e rilasciare il tasto di accensione nelle prime 4 barre di avanzamento per annullare lo spegnimento e accedere alla modalità Display off.



- **Display on**

In modalità Display off, premere un tasto qualsiasi per riattivare lo schermo.

- **Compensazione**

Quando il dispositivo è acceso e il menu non'è richiamato, premere a breve il tasto di alimentazione per completare l'azione di compensazione corrispondente.

## **2. Tasto di luminosità**

- **Regolare la luminosità dello schermo**

Premere a breve la luminosità per commutare la luminosità dello schermo.

- **Commutazione delle modalità di scena**

Tenere premuto il tasto di luminosità per commutare alla modalità scena del dispositivo.

## **3. Tasto di colore pseudo**

- **Commutare il colore pseudo**

Premere a breve il tasto di pseudo colore per passare tra calore bianco, calore nero, calore rosso, ferro rosso e calore blu.

- **Menu**

Tenere premuto il tasto di pseudo colore per entrare nel menu. Quando il menu è richiamato, premere a breve il tasto di menu per confermare l'opzione

corrente e tornare al menu di livello precedente;  
tenere premuto il tasto di menu per non salvare le impostazioni correnti e tornare o uscire dal menu.

#### **4. Tasto dello zoom avanti**

- **Zoom avanti**

Quando il dispositivo è acceso e il menu non è richiamato, premere a breve il tasto dello zoom avanti per commutare lo zoom avanti e il PIP.

- **Tracciamento dei punti caldi**

Tenere premuto può attivare o disattivare il tracciamento dei punti caldi

#### **[ Descrizione della funzione ]**

##### **1. Uscita di video**

Si può attivare o disattivare l'interruttore di uscita di video del dispositivo.

##### **2. WiFi**

L'interruttore WiFi, quando il client del telefono cellulare è collegato al dispositivo, si può trasmettere il video in tempo reale al telefono cellulare e si può controllare il dispositivo tramite l'APP.

**⚠ Nota: Cerca e scarica l'APP 'TargetIR' nel mercato delle applicazioni da terminale mobile. apri l'APP, trova il nome WiFi di 'HandHeld-TI-xxxx' nelle impostazioni WiFi, inserisci la password '12345678' e si può eseguire**

## **l'operazione remota con la connessione riuscita.**

### **3. Corsore laser (alcuni modelli)**

Si può attivare e commutare il cursore laser rosso, giallo e blu.

### **4. Sottolineare l'immagine (alcuni modelli)**

Quando la funzione di sottolineare l'immagine è attivata, si può offrire l'effetto di evidenziare l'obiettivo.

### **5. Contrasto dell'immagine**

Contrasto regolabile a 5 livelli.

**▲ Nota: il valore dopo la regolazione del contrasto viene salvato nella modalità della scena corrente.**

### **6. Luminosità dell'immagine**

Luminosità del rivelatore regolabile a 5 livelli.

**▲ Nota: il valore dopo la regolazione della luminosità viene salvato nella modalità scena corrente.**

### **7. Tracciamento dei punti caldi**

Quando è attivato, si può visualizzare il cursore a croce bianco per tracciare il punto di temperatura più alto nell'intera immagine.

### **8. Modalità della scena**

Si può impostare tre modalità di scena: naturale/sottolineata/highlight.

### **9. Ibernazione automatica**

Si può impostare il tempo di sospensione automatico

su 5/10/15 minuti. Se non c'è alcuna operazione entro il tempo impostato, il sistema entrerà nello stato di sospensione.

#### **10. Spegnimento automatico**

Si può impostare il tempo di spegnimento automatico su 15/30/60 minuti. Se non c'è alcuna operazione su tasti entro il tempo impostato, il sistema si spegnerà dopo il conto alla rovescia.

#### **11. Bluetooth**

Si può impostare l'interruttore Bluetooth del dispositivo. Dopo aver acceso l'interruttore, si può controllare il dispositivo tramite il telecomando Bluetooth.

#### **12. Luce di funzionamento**

Si può accendere o spegnere l'indicatore di lavoro.

## **- Guida alla risoluzione dei problemi comune -**

---

### **1. Il dispositivo non può essere acceso**

Soluzione: sostituire la batteria o collegare l'adattatore per l'alimentazione elettrica

### **2. Lo schermo si spegne durante l'uso**

Soluzione: premere brevemente un tasto qualsiasi per svegliarsi dalla modalità di sospensione e illuminare lo schermo

### **3. L'imaging del dispositivo non è chiaro durante l'uso**

Soluzione: ruotare l'obiettivo per regolare l'anello di messa a fuoco per rimettere a fuoco finché immagine non è chiaro.

## - Stoccaggio e Trasporto -

---

Quanto segue riguarda il corretto stoccaggio e trasporto del prodotto. Per evitare pericoli e perdite di proprietà, si prega di leggere attentamente questo manuale prima di utilizzo e di conservarlo con cura dopo l'uso.

### **Stoccaggio**

- Il prodotto con confezione deve essere conservato in ambiente pulita con la temperatura di - 30 °C ~ 60 °C, l'umidità relativa non superiore al 95%, nessuna condensa o gas corrosivo e buona ventilazione.
- Si prega di caricare il dispositivo ogni 3 mesi.

### **Trasporto**

Durante il trasporto, dovrebbe essere protetto dalla pioggia, dall'immersione in acqua e dal posizionamento capovolto. Non dovrebbero esserci vibrazioni e impatti violenti. Nel processo di manipolazione, dovrebbe essere maneggiato con cura e severamente vietato gettarlo.

## **-Instrucciones importantes -**

---

Gracias por comprar este producto. Lea este manual antes de usarlo y después de leerlo, guárdelo con cuidado para futuras consultas. Esperamos que este producto cumpla con sus expectativas.

Este manual es un manual general para una serie de productos, lo que significa que el modelo de producto específico que recibe puede ser diferente de la imagen en el manual, consulte el producto real recibido.

Este manual de usuario ha sido elaborado para facilitar el uso y la comprensión de nuestros productos. Haremos todo lo posible para asegurar la exactitud del contenido de este manual, pero no podemos garantizar su integridad, ya que nuestros productos se actualizan y mejoran constantemente y nos reservamos el derecho a realizar cambios en cualquier momento sin previo aviso.

**- FCC WARNING -**

---

This equipment may generate or use radio frequency energy. Changes or modifications to this equipment may cause harmful interference unless the modifications are expressly approved in the instruction manual. The user could lose the authority to operate this equipment if an unauthorized change or modification is made.

This device complies with part 15 of the FCC Rules. Operation is subject to the following two conditions: (1) This device may not cause harmful interference, and (2) this device must accept any interference received, including interference that may cause undesired operation.

The device has been evaluated to meet general RF exposure requirement. The device can be used in portable exposure condition without restriction.

NOTE: This equipment has been tested and found to comply with the limits for a Class B digital device, pursuant to part 15 of the FCC Rules. These limits are designed to provide reasonable protection against harmful interference in a residential installation. This equipment generates, uses and can radiate radio frequency energy and, if not installed and used in accordance with the instructions, may cause harmful interference to radio communications. However, there is no guarantee that interference will not occur in a particular installation. If this equipment does cause harmful



interference to radio or television reception, which can be determined by turning the equipment off and on, the user is encouraged to try to correct the interference by one or more of the following measures:

- Reorient or relocate the receiving antenna.
- Increase the separation between the equipment and receiver.
- Connect the equipment into an outlet on a circuit different from that to which the receiver is connected.
- Consult the dealer or an experienced radio/TV technician for help.
- The rating information is located at the bottom of the unit.

## - Precauciones -

---

### Peligro

- 1) Cargue la batería de acuerdo con el método descrito en este manual y siga los pasos y precauciones de carga. Una carga incorrecta puede hacer que la batería se caliente, dañe o incluso cause lesiones personales.
- 2) No intente abrir o desarmar la batería en ningún momento. Una vez que la batería tenga una fuga y cause que el líquido entre en los ojos, enjuague inmediatamente los ojos con agua limpia y busque atención médica.

### Advertencia

- 1) Cuando utilice el dispositivo, intente mantenerlo lo más estable posible para evitar sacudidas violentas;
- 2) No utilice ni almacene el instrumento en un ambiente que exceda la temperatura de trabajo permitida o la temperatura de almacenamiento del equipo;
- 3) No apunte el dispositivo directamente a fuentes de radiación térmica de alta intensidad, como el sol,

láseres, soldadoras por puntos, etc.;

- 4) No obstruya los orificios del dispositivo;
- 5) No golpee, arroje o sacuda los instrumentos y accesorios para evitar daños;
- 6) No desmonte la máquina usted mismo, esto puede causar daños al equipo y perder los derechos de garantía;
- 7) No utilice líquidos solubles o similares para equipos y cables, que pueden causar daños al equipo;
- 8) No utilice el dispositivo en un entorno que exceda la temperatura de funcionamiento del dispositivo, lo que puede causar daños al dispositivo;
- 9) Siga estos pasos cuando limpie el dispositivo:
  - Superficies no ópticas: use un paño limpio y suave para limpiar las superficies no ópticas de la cámara termográfica si es necesario;
  - Superficie óptica: cuando utilice la cámara termográfica, evite ensuciar la superficie óptica del objetivo, especialmente evite tocar el objetivo con las manos, ya que el sudor de sus manos dejará marcas en el vidrio del objetivo y puede corroer el revestimiento óptico de la superficie del vidrio. Cuando la superficie del objetivo óptico esté contaminada, límpiela

cuidadosamente con papel para objetivo profesional;

- 10) No coloque la batería en un ambiente de alta temperatura o cerca de un objeto de alta temperatura;
- 11) No cortocircuite los polos positivo y negativo de la batería;
- 12) No coloque la batería en un ambiente húmedo o agua;
- 13) Está prohibido utilizar adaptadores o cargadores no originales (prevalezca el producto real en el embalaje original) para la carga.

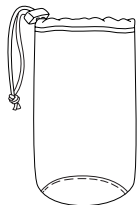


### **Atención**

- 1) No exponga el dispositivo al polvo o la humedad. Cuando se utilice en un entorno acuático, evite las salpicaduras de agua sobre el instrumento. Cubra el objetivo cuando el instrumento no esté en uso;
- 2) Cuando el dispositivo no esté en uso, coloque el instrumento y todos los accesorios en una caja de embalaje especial.

**- Lista de artículos -**

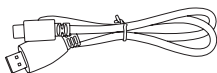
| No | Nombre                | Cantidad |
|----|-----------------------|----------|
| 1  | Bolsa de transporte   | 1        |
| 2  | Batería 18650         | 1        |
| 3  | Cable Micro USB       | 1        |
| 4  | Cable de vídeo        | 1        |
| 5  | Correa para la muñeca | 1        |
| 6  | Cargador 18650        | 1        |



Bolsa de transporte



Batería 18650



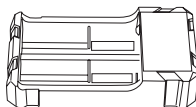
Cable Micro USB



Cable de vídeo



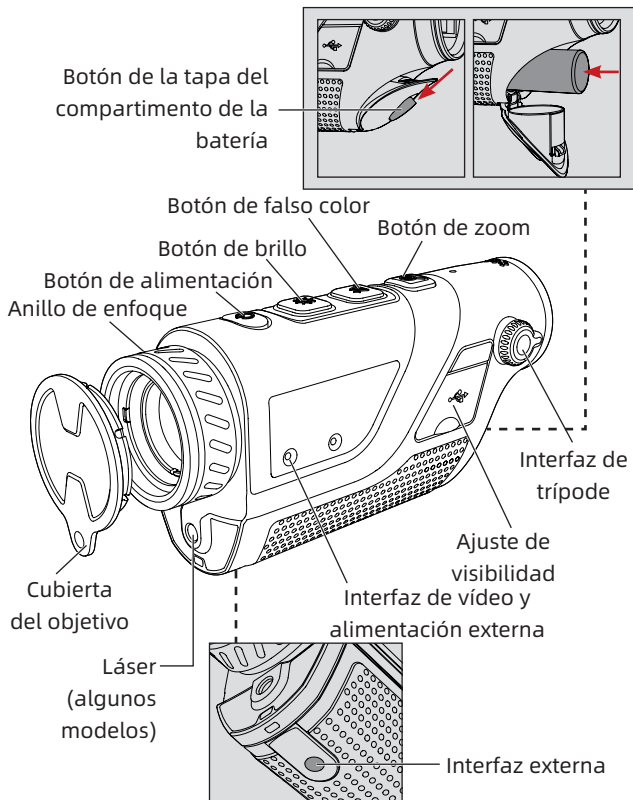
Correa para la muñeca



Cargador 18650

## - Introducción de piezas de productos -

Este manual es aplicable a muchos modelos de esta serie, y la ilustración es solo uno de ellos.



## **1. Anillo de enfoque**

Después de encender la cámara termográfica, debe apuntar al objetivo de observación. Cuando la distancia al objetivo de observación cambia, la imagen puede verse borrosa. Gire el anillo de enfoque de objetivo para volver a enfocar hasta que la imagen del objetivo sea clara.

## **2. Cubierta de objetivo**

¡Cubra la cubierta de objetivo para proteger el objetivo cuando el producto no esté en uso!

## **3. Interfaz USB Type C**

Se puede conectar una fuente de alimentación externa al producto a través de la interfaz externa con el cable USB correspondiente.

La especificación de salida de la fuente de alimentación externa es 5V2A.

También puede conectar a una pantalla mediante un cable de vídeo correspondiente para emitir la imagen térmica a un monitor externo para su visualización.

## **4. Tapa de la batería**

Cuando se utiliza la batería correspondiente al producto, es la entrada para quitar e instalar la batería.

Pulse el botón de la tapa del compartimento de la batería y deslícelo hacia abajo para abrir la tapa del compartimento de la batería y coloque la batería según

CN GB RU DE FR IT **ES** JP KR PL

las marcas de los polos positivo y negativo.

**⚠ Nota: inserte la batería en la dirección que se muestra en la figura, inserte la batería a la fuerza.**

## **5. Interfaz de trípode**

Interfaz estándar de 1/4" , compatible con cabeza del trípode.



**- Instrucciones de operación rápida -**

| Botón                 | Estado actual del equipo          | Pulsación corta                                      | Pulsación larga   |
|-----------------------|-----------------------------------|--|---|
| Botón de alimentación | Encendido (menú no mostrado)      | Compensación   | Display off/ apagado  |
|                       | Apagado                           | /  | Encendido   |
| Botón de brillo       | La barra de menús no se muestra   | Cambiar el brillo de la pantalla                     | Cambio de modos de escena                                   |
|                       | Visualización de la barra de menú | Cambiar las opciones del menú                        | /   |
| Botón de falso color  | La barra de menús no se muestra   | Cambiar el falso color                               | Acceder al menú   |
|                       | Visualización de la barra de menú | Confirmar la opción actual y volver al menú anterior | Volver o salir del menú sin guardar la configuración actual |
| Botón de zoom         | La barra de menús no se muestra   | Cambio de zoom                                       | Activar/ desactivar el seguimiento del punto caliente       |
|                       | Visualización de la barra de menú | Movimiento del menú                                  | /   |

**[ Descripción del botón ]****1. Botón de alimentación**

- **Encendido**

Mantenga pulsado el botón de alimentación hasta que aparezca la imagen de encendido en el ocular, entonces el dispositivo se enciende correctamente.

- **Apagado**

Apagado manual: Mantenga pulsado el botón de alimentación, se muestra la barra de progreso de apagado, continúe hasta que la barra de progreso sea de 5 cuadros y entonces suelte el botón para apagar con éxito.

Apagado automático: en el tiempo de apagado automático establecido, si no hay una operación de botón, se apagará

- **Pantalla apagada (Display off)**

Mantenga pulsado el botón de alimentación, se muestra la barra de progreso de apagado. Si suelta el botón de alimentación en los 4 cuadros anteriores en la barra de progreso, el apagado se cancela y entra en el modo de apagado de la pantalla.

- **Display on**

En este estado Display off, presione cualquier botón para activar la pantalla.

- **Compensación**

Cuando la máquina está encendida y no se accede al menú, presione brevemente el botón de encendido/apagado para completar la acción de compensación correspondiente.

## **2. Botón de brillo**

- **Ajustar el brillo de la pantalla**

Presione brevemente Brillo para cambiar el brillo de la pantalla.

- **Cambio de modos de escena**

Mantenga pulsado el botón de brillo para cambiar el modo de escena del dispositivo.

## **3. Botón de falso color**

- **Cambiar el falso color**

Presione brevemente el botón de falso color para cambiar entre calor blanco, calor negro, calor rojo, rojo hierro y calor azul.

- **Menú**

Mantenga pulsada el botón de falso color para ingresar al menú. Cuando aparezca el menú, presione brevemente el botón de menú para confirmar la opción actual y volver al menú anterior; presione prolongadamente el botón de menú para volver o salir del menú sin guardar la configuración

actual.

#### **4. Botón de zoom**

- **Zoom**

Cuando está encendida y no se accede al menú, presione brevemente el botón de zoom para cambiar entre el acercamiento y la imagen en imagen.

- **Seguimiento del punto caliente**

Mantenga presionado para ajustar el interruptor de seguimiento del punto caliente.

### **[ Descripción de la función ]**

#### **1. Salida de vídeo**

Permite activar o desactivar el interruptor de la salida de vídeo de la unidad.

#### **2. WiFi**

Interruptor WiFi, cuando el cliente móvil y el dispositivo están conectados, el vídeo en tiempo real se puede transmitir al cliente móvil y el dispositivo se puede operar a través de la APP.

**⚠ Nota: Busque y descargue la APP 'TargetIR' en el mercado de aplicaciones móviles, abra la APP y busque el nombre del WiFi 'HandHeld-TI-xxxx' en la configuración del WiFi del móvil, introduzca la contraseña '12345678' y conéctese con éxito para operar remotamente.**

### **3. Cursor láser (algunos modelos)**

Los cursores láser rojo, amarillo y azul se pueden encender o cambiar.

### **4. Mejora de la imagen (algunos modelos)**

Cuando la mejora de imagen está activada, puede mejorar el efecto de resaltar el objetivo.

### **5. Contraste de la imagen**

Contraste regulable en 5 niveles.

**⚠ Nota: El valor tras el ajuste del contraste se guarda en el modo de escena actual.**

### **6. Brillo de la imagen**

Brillo del detector ajustable en 5 niveles.

**⚠ Nota: El valor tras el ajuste del brillo se guarda en el modo de escena actual.**

### **7. Seguimiento de punto caliente**

Muestra un cursor de cruz blanco cuando está activado, siguiendo el punto más caliente de la imagen.

### **8. Modo de escena**

Se pueden configurar tres modos de escena de natural/mejorado/resaltado.

### **9. Reposo automático**

El tiempo de reposo automático se puede configurar en 5/10/15 minutos, si no hay ninguna operación dentro del tiempo establecido, entonces entrará en estado de

reposo.

## **10. Apagado automático**

El tiempo de apagado automático se puede configurar en 15/30/60 minutos. Si no se realiza ninguna operación de los botones en el tiempo establecido, ingresará a la cuenta regresiva de apagado y se apagará después de la terminación de la cuenta regresiva.

## **11. Bluetooth**

El interruptor Bluetooth del dispositivo se puede configurar y, una vez que se enciende el interruptor, el dispositivo se puede controlar a través del controlador Bluetooth.

## **12. Luz indicadora de trabajo**

La luz indicadora de trabajo se puede encender o apagar.

## - Guía de solución de fallas comunes -

---

### **1. El dispositivo no se puede encender**

Solución: Reemplazar la batería o conectar un adaptador para la alimentación

### **2. La pantalla se apaga durante el uso**

Solución: presionar brevemente cualquier botón para despertar del reposo e iluminar la pantalla

### **3. La imagen del dispositivo es borrosa cuando se usa**

Solución: Girar el anillo de enfoque de objetivo para volver a enfocar hasta que la pantalla sea clara

## - Almacenamiento y transporte -

---

Los métodos correctos de almacenamiento y transporte de la cámara termográfica son los siguientes: Para evitar peligros y daños materiales, etc., lea atentamente este manual antes de usar el dispositivo y respételo estrictamente durante el uso. Después de leerlo, guarde el manual correctamente.

### **Almacenamiento**

- El entorno de almacenamiento del producto empaquetado es de -30 °C ~ 60 °C, con una humedad relativa no supera el 95 %, sin condensación ni gases corrosivos, en una sala bien ventilada y limpia.
- Sáquelo y cárguelo una vez cada 3 meses.

### **Transporte**

Debe protegerse de la lluvia, de las inundaciones y de los vuelcos durante el transporte y no debe someterse a vibraciones y golpes violentos; debe manipularse con cuidado y suavidad y no debe lanzarse.



## - ご注意 -

---

本製品をお買い上げいただき、誠にありがとうございます。ご使用になる前に本マニュアルをお読みいただき、いつでもご覧になれるように大切に保管してください。本製品がご期待に応えられることを願っています。

本マニュアルは、製品シリーズに適用される一般的なマニュアルです。そのため、お手元に届いた特定のモデルの製品は、本マニュアルに記載されている写真と異なる場合があります。実際の製品を参照してください。

本マニュアルは、当社の製品をより良く使用し、理解していただくように作成されています。その内容の正確性を確保するために最善を尽くしていますが、不備がないことを保証するものではありません。なお、製品の更新・改善を継続的に行っていますので、本マニュアルは予告なしに変更することがあります。

**- FCC WARNING -**

---

This equipment may generate or use radio frequency energy. Changes or modifications to this equipment may cause harmful interference unless the modifications are expressly approved in the instruction manual. The user could lose the authority to operate this equipment if an unauthorized change or modification is made.

This device complies with part 15 of the FCC Rules. Operation is subject to the following two conditions: (1) This device may not cause harmful interference, and (2) this device must accept any interference received, including interference that may cause undesired operation.

The device has been evaluated to meet general RF exposure requirement. The device can be used in portable exposure condition without restriction.

NOTE: This equipment has been tested and found to comply with the limits for a Class B digital device, pursuant to part 15 of the FCC Rules. These limits are designed to provide reasonable protection against harmful interference in a residential installation. This equipment generates, uses and can radiate radio frequency energy and, if not installed and used in accordance with the instructions, may cause harmful interference to radio communications. However, there is no guarantee that interference will not occur in a particular installation. If this equipment does cause harmful

interference to radio or television reception, which can be determined by turning the equipment off and on, the user is encouraged to try to correct the interference by one or more of the following measures:

- Reorient or relocate the receiving antenna.
- Increase the separation between the equipment and receiver.
- Connect the equipment into an outlet on a circuit different from that to which the receiver is connected.
- Consult the dealer or an experienced radio/TV technician for help.
- The rating information is located at the bottom of the unit.

## - 注意事項 -

---

### 危険

- 1) 本マニュアルの説明に従ってバッテリーを充電し、充電手順と注意事項を参照してください。間違った方法で充電すると、バッテリーが過熱したり、損傷したり、人身事故につながる可能性があります。
- 2) 絶対にバッテリーを開けたり、分解したりしないでください。バッテリーの液漏れにより液体が目に入った場合は、直ちにきれいな水で洗い流し、医師に相談してください。

 **警告**

- 1) 本機を使用するときは、できるだけ安定させ、激しく振らないようにしてください。
- 2) 許容動作温度または保管温度を超えた環境では、本機を使用または保管しないでください。
- 3) 太陽、レーザー、スポット溶接機などの高強度の熱放射源に本機を直接向けないでください。
- 4) 本機の穴を塞がないでください。
- 5) 損傷を避けるために、本機や付属品をたたいたり、投げたり、衝撃を与えたりしないでください。
- 6) 自分で本機を分解しないでください。機器が損傷し、保証対象外となる場合があります。
- 7) 機器やケーブルには可溶性または同様の液体を使用しないでください。機器に損傷を与える可能性があります。
- 8) 許容動作温度を超えた環境では、本機を使用しないでください。機器に損傷を与える可能性があります。
- 9) 本機を拭くときは、次の指示に従ってください。
  - ・ 非光学面:必要に応じて、清潔で柔らかい布を使用し、サーマルイメージャーの非光学面を拭きます。
  - ・ 光学面:サーマルイメージャーを使用するときは、レンズの光学面を汚さず、特に手でレンズに触れないようにしてください。手の汗がレンズのガラスに跡を残し、ガラス面の光学コーティングを腐食させる可能性があります。光学レンズの表面が汚れている場合は、

専用のレンズクリーニングペーパーで丁寧に拭いてください。

- 10) バッテリーを高温環境にさらしたり、高温物体の近くに置かないでください。
- 11) バッテリーのプラス極とマイナス極を短絡させないでください。
- 12) バッテリーを湿気や水にさらさないでください。
- 13) 純正品以外のアダプターや充電器(詳細はパッケージ内の製品を参照してください)で充電することは禁止です。



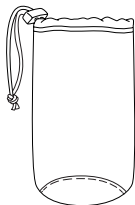
## 注意

- 1) 本機をほこりや湿気にさらさないでください。水のある環境で使用するときは、本機に水がかからないようにしてください。本機を使用しないときは、レンズキャップをかぶせてください。
- 2) 本機を使用しないときは、機器とすべての付属品を専用の梱包箱に収納してください。

**- パッケージ内容 -**

配件:

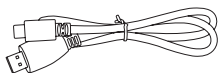
| No. | 名称            | 数量 |
|-----|---------------|----|
| 1   | 収納バッグ         | 1個 |
| 2   | 18650バッテリー    | 1本 |
| 3   | Micro USBケーブル | 1本 |
| 4   | ビデオ出力ケーブル     | 1本 |
| 5   | リストバンド        | 1本 |
| 6   | 18650充電器      | 1個 |



収納バッグ



18650バッテリー



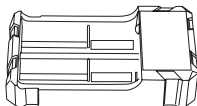
Micro USBケーブル



ビデオ出力ケーブル



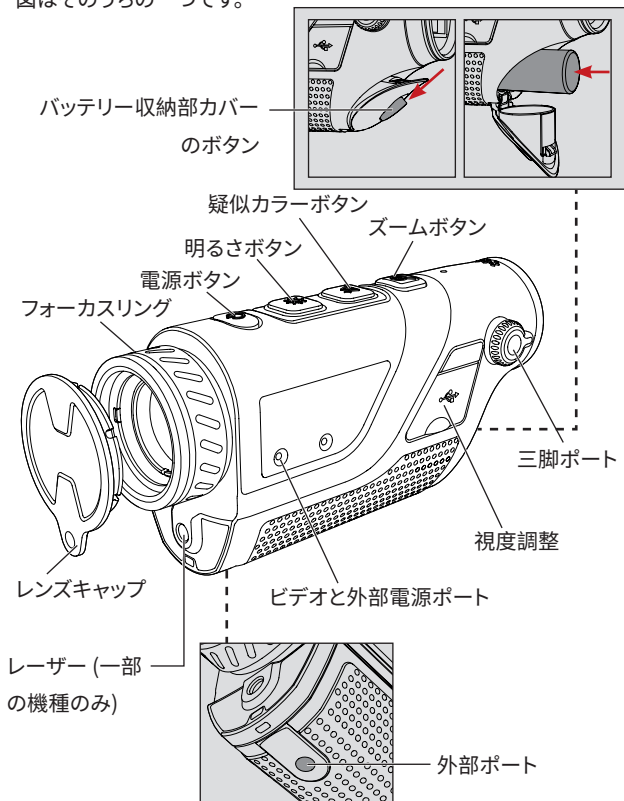
リストバンド



18650充電器

## - 製品の部品紹介 -

本マニュアルは、本シリーズの複数のモデルに適用されます。下図はそのうちの一つです。



## 1. フォーカスリング

サーマルイメージャーの電源を入れた後、観測対象に向けてください。観測対象の距離が変化すると、画像がぼやける場合があります。対象物の画像が鮮明になるまで、レンズのフォーカスリングを回して焦点を合わせ直してください。

## 2. レンズキャップ

レンズを保護するために、製品を使用しない時は、レンズキャップをかぶせてください。

## 3. USB Type Cポート

USBケーブルを外部ポートに差し込み、外部電源に接続し、製品に電力を供給することができます。

外部電源の出力仕様は5V2Aです。

付属のビデオケーブルを画面に接続し、サーマルイメージャーの画像を外部画面に出力して表示できます。

## 4. バッテリー収納部カバー

本製品の専用バッテリーを使用する場合、こちらはバッテリーの脱着口です。

バッテリー収納部カバーのボタンを押して下にスライドさせてバッテリー収納部カバーを開け、プラスとマイナスの符号に従ってバッテリーを挿入します。

**▲ 注意:バッテリーは図に示す方向に挿入してください。無理やりに押し込まないでください。**

## 5. 三脚ポート

雲台対応の1/4インチ標準ポート。



## - クイックスタートガイド -

| ボタン      | 機器状態               | 短押し                       | 長押し                               |
|----------|--------------------|---------------------------|-----------------------------------|
| 電源ボタン    | 電源オン<br>(メニュー非表示時) | 補正                        | ディスプレイオフ/電源オフ                     |
|          | 電源オフ               | /                         | 電源オン                              |
| 明るさボタン   | メニューバー非表示          | 画面の明るさの切り替え               | シーンの切り替え                          |
|          | メニューバー表示           | メニューオプションの切り替え            | /                                 |
| 疑似カラーボタン | メニューバー非表示          | 疑似カラーの切り替え                | メニューへ                             |
|          | メニューバー表示           | 現在のオプションを確認し、上層メニューに戻ります。 | 現在の設定を保存せずに上層メニューに戻るか、メニューを終了します。 |
| ズームボタン   | メニューバー非表示          | ズームインレベルの切り替え             | ホットスポット追跡のオン・オフ                   |
|          | メニューバー表示           | メニューの移動                   | /                                 |

**【ボタン説明】****1. 電源ボタン****• 電源オン**

接眼レンズに起動画面が表示されるまで電源ボタンを長押しすると、機器が正常に起動します。

**• 電源オフ**

手動シャットダウン: 電源ボタンを長押しすると、シャットダウンのプログレスバーが表示されます。プログレスバーが5マスに進んだ後に電源ボタンを離すと、シャットダウンします。

自動シャットダウン: 設定された時間内に操作しなかった場合、自動的にシャットダウンします。

**• ディスプレイオフ**

電源ボタンを長押しすると、シャットダウンプログレスバーが表示され、プログレスバーの最初の4マスで電源ボタンを離すとシャットダウンがキャンセルされ、ディスプレイオフモードに入ります。

**• ディスプレイオン**

ディスプレイオフモードで任意のボタンを押すと、ディスプレイがオンになります。

**• 補正**

電源オン(メニュー非表示時)の状態、電源ボタンを短く押して補正を実行します。

## 2. 明るさボタン

- **画面の明るさの調整**

明るさボタンを短く押すと、画面の明るさが切り替わります。

- **シーンモードの切り替え**

明るさボタンを長押しすると、シーンモードが切り替わります。

## 3. 疑似カラーボタン

- **疑似カラーの切り替え**

疑似カラーボタンを短く押すと、白熱、黒熱、赤熱、酸化鉄赤、青熱に切り替わります。

- **メニュー**

疑似カラーボタンを長押しすると、メニューに入ります。電源オン(メニュー表示時)の状態、メニューボタンを短く押すと、現在の項目を選定することになり、同時に上層メニューに戻ります。メニューボタンを長押しすると、現在の設定を保存せずに終了し、上層メニューに戻るか、メニューを終了します。

## 4. ズームボタン

- **ズームイン**

電源オン(メニュー非表示時)の状態、ズームボタンを短く押すと、ズーム倍率とPIPを切り替えることができます。

- **ホットスポット追跡**

ズームボタンを長押しすると、ホットスポット追跡はオンまたはオフになります。

**【機能説明】****1. ビデオ出力**

機器のビデオ出力をオンまたはオフにします。

**2. WiFi**

WiFiのオン・オフ:スマートフォンAPPと機器を接続すると、リアルタイムビデオをスマートフォンに送信することができます。また、APPで機器を操作できます。

**▲ 注意:スマートフォンのアプリマーケットで「TargetIR」APPを検索してダウンロードします。APPを開き、スマートフォンのWiFi設定で「HandHeld-TI-xxxx」を見つけて選択し、パスワードに「12345678」を入力して接続すると、リモートで操作できるようになります。**

**3. レーザーカーソル(一部の機種のみ)**

オンにするか、赤、黄、青のレーザーカーソルを切り替えることができます。

**4. 画面補正(一部の機種のみ)**

画面補正をオンにすると、対象物が表示される効果を高めることができます。

**5. 画像のコントラスト**

コントラストは5段階で調整できます。

**▲ 注意:調整後のコントラストは、現在のシーンモードに保**

存されます。

## 6. 画像の明るさ

検出器の明るさは5段階で調整できます。

**▲ 注意:調整後の明るさは、現在のシーンモードに保存されます。**

## 7. ホットスポット追跡

オンにすると、白い十字カーソルが表示され、最高温度の対象を追跡します。

## 8. シーンモード

自然/強化/ハイライトの3つのシーンモードを設定できます。

## 9. 自動スリープ

自動スリープ時間は5分/10分/15分に設定でき、設定された時間内に操作しなかった場合、スリープ状態に入ります。

## 10. 自動シャットダウン

自動シャットダウン時間は15分/30分/60分に設定でき、設定された時間内に操作しなかった場合、シャットダウンカウントダウンに入ります。カウントダウンが終了すると、シャットダウンします。

## 11. Bluetooth

機器のBluetoothスイッチを設定できます。スイッチをオンにすると、機器をBluetoothリモコンで制御できます。

## 12. 動作インジケータ

動作インジケータをオンまたはオフにします。

## -トラブルシューティング-

---

### 1. 電源が入らない

解決方法: バッテリーを交換する、またはACアダプターで給電します。

### 2. 使用中に画面が消える

解決方法: 任意のボタンを短く押すと、スリープから復帰し、画面が点灯します。

### 3. 使用時に映像がぼやける

解決方法: ディスプレイに表示される映像がきれいになるまでレンズのフォーカスリングを回して焦点を合わせ直してください。

## -保管と輸送-

---

以下は、本製品の適切な保管と輸送方法です。危険や物的損害を未然に防止するために、ご使用前に本マニュアルをよくお読みいただき、指示を厳守してください。お読みになった後は大切に保管してください。

### **1. 保管**

- 包装された製品の保管環境は、-30℃～60℃で、相対湿度は95%を超えず、結露や腐食性ガスがなく、換気がよく清潔な室内です。
- バッテリーを必ず3か月に1回取り出して充電してください。

### **2. 輸送**

輸送の際は、雨、水の浸入を避け、上下を逆にせず、激しい振動や衝撃を避けてください。搬送の際は丁寧に扱い、投げたり落下させたりしないでください。





## - 중요한 설명 -

---

본 제품을 구입해 주셔서 감사합니다. 사용하기 전에 본 설명서를 자세히 읽고 필요시 참조할 수 있도록 잘 보관하십시오. 제품이 수요를 만족시킬 수 있기를 바랍니다.

본 설명서는 한 개 시리즈 제품에 통용되는 설명서로 구입한 특정 모델의 제품은 설명서 상의 이미지와 다를 수 있으니 실물을 기준으로 해주십시오.

본 설명서의 목적은 사용자가 당사 제품을 쉽게 이해하고 사용할 수 있도록 돕는 것입니다. 당사는 본 설명서 내용의 정확성을 확보하기 위해 최선을 다할 것입니다. 단 내용의 완전성은 보장해 드릴 수 없습니다. 이는 제품이 지속적으로 갱신 및 업그레이드되고 있기 때문입니다. 당사는 본 설명서를 사전 통지 없이 언제든지 수정할 수 있는 권리를 보유합니다.

**- FCC WARNING -**

---

This equipment may generate or use radio frequency energy. Changes or modifications to this equipment may cause harmful interference unless the modifications are expressly approved in the instruction manual. The user could lose the authority to operate this equipment if an unauthorized change or modification is made.

This device complies with part 15 of the FCC Rules. Operation is subject to the following two conditions: (1) This device may not cause harmful interference, and (2) this device must accept any interference received, including interference that may cause undesired operation.

The device has been evaluated to meet general RF exposure requirement. The device can be used in portable exposure condition without restriction.

NOTE: This equipment has been tested and found to comply with the limits for a Class B digital device, pursuant to part 15 of the FCC Rules. These limits are designed to provide reasonable protection against harmful interference in a residential installation. This equipment generates, uses and can radiate radio frequency energy and, if not installed and used in accordance with the instructions, may cause harmful interference to radio communications. However, there is no guarantee that interference will not occur in a particular installation. If this equipment does cause harmful

interference to radio or television reception, which can be determined by turning the equipment off and on, the user is encouraged to try to correct the interference by one or more of the following measures:

- Reorient or relocate the receiving antenna.
- Increase the separation between the equipment and receiver.
- Connect the equipment into an outlet on a circuit different from that to which the receiver is connected.
- Consult the dealer or an experienced radio/TV technician for help.
- The rating information is located at the bottom of the unit.

**- 주의 사항 -****! 위험**

- 1) 본 설명서에 기재된 방법에 따라 배터리를 충전하며 충전 절차와 주의 사항을 따르십시오. 잘못된 충전은 배터리 가열, 손상 심지어 인명 피해를 초래할 수 있습니다.
- 2) 그 어떤 경우에도 배터리를 열거나 분해하지 마십시오. 배터리 액이 새어 나와 눈에 들어갔을 경우에는 즉시 깨끗한 물로 행구고 의료 조치를 취하십시오.

**! 경고**

- 1) 기기 사용 시에는 될수록 안정적인 상태를 유지하고 심한 흔들림을 피하십시오.
- 2) 작업 온도와 저장 온도가 허용 기준을 초과하는 장소에서 기기를 사용하거나 보관하지 마십시오.
- 3) 기기를 태양, 레이저, 용접기 등 고강도 복사열원에 직접 노출시키지 마십시오.
- 4) 기기 상의 구멍을 막지 마십시오.
- 5) 기기와 액세서리를 두드리거나 던지거나 진동 시키지 마십시오. 그렇지 않을 경우 파손될 수 있습니다.
- 6) 본 기기를 스스로 분해하지 마십시오. 그렇지 않을 경우 기기가 파손되거나 무상 수리를 받을 수 없게 됩니다.
- 7) 용해성 또는 유사한 액체를 기기, 케이블에 사용하지 마십시오. 그렇지 않을 경우 기기가 파손될 수 있습니다.
- 8) 기기 작동 온도를 초과하는 환경에서 사용하지 마십시오.

그렇지 않을 경우 기기가 파손될 수 있습니다.

- 9) 기기를 닦을 때에는 다음과 같은 사항을 준수해 주십시오.
  - 비광학 표면: 필요할 경우 깨끗하고 부드러운 천으로 열화상 카메라의 비광학 표면을 닦으십시오.
  - 광학 표면: 열화상 카메라를 사용할 때에는 렌즈의 광학 표면이 오염되지 않도록 조심하십시오. 특히 손에 땀이 나면 렌즈에 자국이 남아 유리 표면의 광학 코팅층이 부식될 수 있으므로 손으로 렌즈를 만지지 마십시오. 광학 렌즈 표면이 오염되었을 때에는 전용 렌즈 티슈로 조심스럽게 닦으십시오.
- 10) 배터리를 고온 환경이나 고온 물체 근처에 두지 마십시오.
- 11) 배터리의 양극과 음극이 단락 되지 않도록 하십시오.
- 12) 배터리를 습한 환경이나 물속에 두지 마십시오.
- 13) 비 정품 어댑터 또는 충전기 충전 금지(원 포장 내 실물 기준).

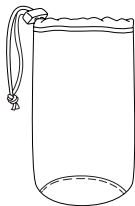


## 주의

- 1) 기기를 먼지나 습한 환경에 노출시키지 마십시오. 물이 있는 환경에서 사용할 때에는 기기에 물이 튀지 않도록 조심하십시오. 기기를 사용하지 않을 때에는 렌즈 캡을 닫으십시오.
- 2) 본 기기를 사용하지 않을 때에는 기기와 모든 액세서리를 전용 포장 박스에 넣어주십시오.

## - 구성품 리스트 -

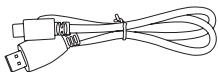
| 순번 | 명칭            | 수량 |
|----|---------------|----|
| 1  | 휴대 가방         | 1개 |
| 2  | 18650배터리      | 1개 |
| 3  | Micro USB 케이블 | 1개 |
| 4  | 동영상 케이블       | 1개 |
| 5  | 손목 스트랩        | 1개 |
| 6  | 18650 충전기     | 1개 |



휴대 가방



18650배터리



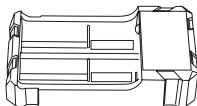
Micro USB 케이블



동영상 케이블



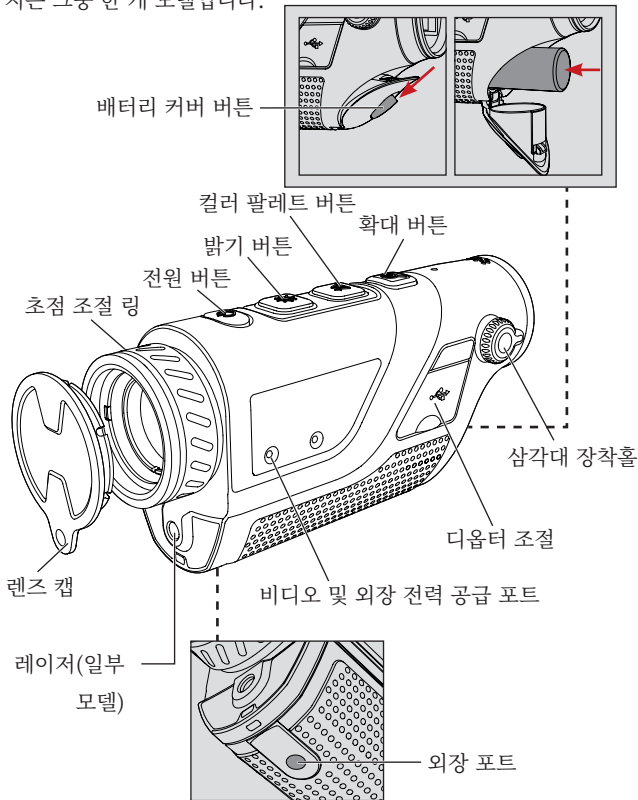
손목 스트랩



18650 충전기

## - 제품 각 부분 소개 -

본 설명서는 해당 시리즈의 여러 모델에 적용되며 이하 이미지는 그중 한 개 모델입니다.



**1. 초점 조**

열화상 카메라를 켜 후 관찰 대상을 조준해야 하며 관찰 대상의 거리가 변경되면 이미지가 흐려질 수 있으므로 초점 조절 링을 돌려 대상 이미지가 선명해질 때까지 초점을 맞추어야 합니다.

**2. 렌즈 캡**

기기를 사용하지 않을 때에는 렌즈 캡을 닫아 렌즈를 보호하십시오!

**3. USB Type C 포트**

동봉된 USB 케이블로 외장 전원을 연결하여 기기에 충전하십시오.

외장 전원의 출력 규격은 5V2A입니다.

동봉된 동영상 케이블로 모니터를 연결하여 열화상 이미지를 외장 모니터에 출력할 수 있습니다.

**4. 배터리 커버**

기기에 배터리를 사용해야 할 경우 배터리를 장착 및 탈착하는 입구입니다.

배터리 커버 버튼을 아래로 밀면 커버가 열립니다. 극성 표시에 따라 배터리를 장착하십시오.

**▲ 주: 그림에 표시된 방향에 따라 배터리를 장착하십시오. 절대 무리한 힘으로 밀어 넣지 마십시오.**

**5. 삼각대 장착홀**

1/4 인치 표준 포트에 트라이포트 헤드를 지원합니다.



## - 빠른 사용 설명 -

| 버튼        | 기기 현재 상태                    | 짧게 누름                                | 길게 누름                                |
|-----------|-----------------------------|--------------------------------------|--------------------------------------|
| 전원 버튼     | 기기 켜짐<br>(메뉴 바 표시<br>되지 않음) | 보상                                   | Display off/기기 꺼짐                    |
|           | 기기 꺼짐                       | /                                    | 기기 켜짐                                |
| 밝기 버튼     | 메뉴 바 표시되<br>지 않음            | 디스플레이<br>밝기 전환                       | 장면 모드 전환                             |
|           | 메뉴 바 표시됨                    | 메뉴 옵션<br>전환                          | /                                    |
| 컬러 팔레트 버튼 | 메뉴 바 표시되<br>지 않음            | 컬러 팔레트<br>전환                         | 메뉴 진입                                |
|           | 메뉴 바 표시됨                    | 현재 옵션 확<br>인, 동시에 이<br>전 메뉴로 돌<br>아감 | 현재 설정을 저장하지 않<br>고 돌아가거나 메뉴에<br>서 나감 |
| 확대 버튼     | 메뉴 바 표시되<br>지 않음            | 확대 전환                                | 핫스팟 추적 켜기/끄기                         |
|           | 메뉴 바 표시됨                    | 메뉴 이동                                | /                                    |

**【버튼 설명】****1. 전원 버튼**

- 기기 켜기

전원 버튼을 길게 누르면 접안 렌즈에 작동 화면이 나타나면서 기기가 켜집니다.

- 기기 끄기

수동 끄기: 전원 버튼을 길게 누르면 진행 표시줄이 나타나며 진행 표시줄이 완료되면 기기가 꺼집니다.

자동 끄기: 설정된 자동 끄기 시간 내에 버튼을 조작하지 않으면 기기가 꺼집니다.

- **Display off**

전원 버튼을 길게 누르면 진행 표시줄이 나타나고 진행 표시줄이 완료되기 전에 전원 버튼을 풀면 기기 끄기가 취소되고 display off 모드에 진입합니다.

- **Display on**

display off 모드에서 임의의 버튼을 누르면 디스플레이가 켜집니다.

- **보상**

기기가 켜지고 메뉴가 띄워지지 않은 상태에서 기기 켜기/끄기 버튼을 짧게 누르면 대응되는 보정을 진행합니다.

**2. 밝기 버튼**

- **디스플레이 밝기 조절**

밝기 버튼을 짧게 누르면 디스플레이 밝기가 전환됨

니다.

- **장면 모드 전환**

밝기 버튼을 길게 누르면 장면 모드가 전환됩니다.

### 3. 컬러 팔레트 버튼

- **컬러 팔레트 전환**

짧게 누르면 화이트 핫, 블랙 핫, 레드 핫, 아이언 레드, 블루 핫에서 전환됩니다.

- **메뉴**

컬러 팔레트 버튼을 길게 누르면 메뉴에 진입합니다. 메뉴가 띄워진 상태에서 메뉴 버튼을 짧게 누르면 현재 옵션을 확인하고 동시에 이전 메뉴로 돌아갑니다. 메뉴 버튼을 길게 누르면 현재 설정을 저장하지 않고 돌아가거나 메뉴에서 나갑니다.

### 4. 확대 버튼

- **확대**

기기가 켜지고 메뉴가 띄워지지 않은 상태에서 확대 버튼을 짧게 누르면 확대 배율과 화면 속 화면에서 전환됩니다.

- **핫스팟 추적**

길게 누르면 핫스팟 추적을 켤 수 있습니다.

## 【기능 설명】

### 1. 비디오 출력

기기 비디오 출력 기능을 켜거나 끌 수 있습니다.

**2. WiFi**

WiFi를 통해 휴대폰과 기기를 연결하여 실시간 동영상을 휴대폰에 전송하고 APP으로 기기를 조작할 수 있습니다.

**! 주: 모바일 앱 스토어에서 'TargetIR' APP을 검색하여 다운로드하십시오. APP을 열고 휴대폰 WiFi 설정에서 WiFi 명칭 'SCOPE-TIxxxx'을 찾은 후 비밀번호 '12345678'을 입력하여 연결하면 원격 조종이 가능합니다.**

**3. 레이저 커서(일부 모델)**

빨간색, 노란색, 파란색 레이저 커서를 열거나 전환할 수 있습니다.

**4. 화면 증강(일부 모델)**

목표물을 부각하는 효과를 얻을 수 있습니다.

**5. 이미지 콘트라스트**

5개 등급 범위에서 이미지 콘트라스트를 조절할 수 있습니다.

**! 주: 콘트라스트 조절 후의 값은 현재 장면 모드에 저장됩니다.**

**6. 이미지 밝기**

5개 등급 범위에서 디텍터 밝기를 조절할 수 있습니다.

**! 주: 밝기 조절 후의 값은 현재 장면 모드에 저장됩니다.**

**7. 핫스팟 추적**

해당 기능을 활성화하면 흰색 십자 커서가 나타나 전체 화면에서 온도가 가장 높은 점을 추적합니다

**8. 장면 모드**

내추럴/증강/하이라이트 등 세 가지 장면 모드를 설정할 수 있습니다.

**9. 자동**

자동 휴면 시간을 5/10/15분으로 설정할 수 있습니다. 설정된 시간 내에 조작하지 않으면 휴면 상태에 진입합니다.

**10. 자동 끄기**

자동 끄기 시간을 15/30/60분으로 설정할 수 있습니다. 설정된 시간 내에 버튼을 조작하지 않으면 카운트다운에 진입하고 카운트다운이 끝나면 기기가 꺼집니다.

**11. 블루투스**

기기 블루투스를 켜면 블루투스 조종기를 통해 기기를 제어할 수 있습니다.

**12. 작업 표시등**

작업 표시등을 켜거나 끌 수 있습니다.

## -자주 발생하는 고장 해결 방법-

---

### 1. 기기가 켜지지 않습니다

해결 방법: 배터리를 교체하거나 어댑터를 연결하여 전력을 공급하십시오.

### 2. 사용 과정에서 디스플레이가 꺼집니다

해결 방법: 임의의 버튼을 짧게 눌러 디스플레이를 휴면 상태에서 켜주십시오.

### 3. 사용 시 이미지가 선명하지 않습니다

해결 방법: 렌즈 초점 조절 링을 돌려 이미지가 선명해질 때까지 초점을 조절하십시오.

## -보관과 운송-

---

다음은 제품의 정확한 보관과 운송 방법입니다. 위험, 재산 손실 등을 방지하기 위해 기기를 사용하기 전에 반드시 본 설명서를 자세히 읽고 엄격하게 준수하며 필요시 참조할 수 있도록 잘 보관하십시오.

### **1. 보관**

- 포장된 제품은 온도  $-30^{\circ}\text{C}\sim 60^{\circ}\text{C}$ , 습도 95% 이하, 응축성 및 부식성 가스가 없고 통풍이 양호하며 깨끗한 실내에 보관하십시오.
- 3개월에 한 번 꺼내어 충전하십시오.

### **2. 운송**

운송 유통 과정에서 기기는 비에 젖거나 물이 침투되거나 거꾸로 방치해서는 안 되며 심한 진동과 충격이 없어야 합니다. 운반 과정에서는 기기를 가볍게 놓아야 하며 던지지 말아야 합니다.





## - Ważne informacje -

---

Dziękujemy za zakup naszego produktu. Przed użyciem produktu, należy przeczytać niniejszą instrukcję i zachować ją, by służyła w przyszłości jako źródło wiadomości. Żywimy nadzieję, że niniejszy produkt spełni Państwa oczekiwania. Niniejsza instrukcja ma zastosowanie do serii produktów. Z tego względu konkretny model produktu, który zostanie Państwu oddany do użytku, może różnić się od produktu, który przedstawiono na zdjęciach niniejszej instrukcji, należy w pierwszej kolejności odnosić się do faktycznego produktu.

Niniejszą instrukcję przygotowano, by ułatwić użytkownikom korzystanie i zrozumienie naszych produktów. Dokładamy wszelkich starań, by treści umieszczone w niniejszej instrukcji były dokładne. Nie możemy jednak zagwarantować, że niniejsza instrukcja będzie poruszać wszystkie szczegóły, ze względu na fakt, że stale aktualizujemy i ulepszamy nasze produkty. Z tego względu zastrzegamy sobie prawo do zmiany jej treści w każdym momencie, bez wcześniejszego powiadomienia o tym fakcie.

**- FCC WARNING -**

---

This equipment may generate or use radio frequency energy. Changes or modifications to this equipment may cause harmful interference unless the modifications are expressly approved in the instruction manual. The user could lose the authority to operate this equipment if an unauthorized change or modification is made.

This device complies with part 15 of the FCC Rules. Operation is subject to the following two conditions: (1) This device may not cause harmful interference, and (2) this device must accept any interference received, including interference that may cause undesired operation.

The device has been evaluated to meet general RF exposure requirement. The device can be used in portable exposure condition without restriction.

NOTE: This equipment has been tested and found to comply with the limits for a Class B digital device, pursuant to part 15 of the FCC Rules. These limits are designed to provide reasonable protection against harmful interference in a residential installation. This equipment generates, uses and can radiate radio frequency energy and, if not installed and used in accordance with the instructions, may cause harmful interference to radio communications. However, there is no guarantee that interference will not occur in a particular installation. If this equipment does cause harmful

interference to radio or television reception, which can be determined by turning the equipment off and on, the user is encouraged to try to correct the interference by one or more of the following measures:

- Reorient or relocate the receiving antenna.
- Increase the separation between the equipment and receiver.
- Connect the equipment into an outlet on a circuit different from that to which the receiver is connected.
- Consult the dealer or an experienced radio/TV technician for help.
- The rating information is located at the bottom of the unit.

## - Środki ostrożności -

---



### **Niebezpieczeństwo**

- 1) Należy ładować akumulator zgodnie z procedurą, którą opisano w niniejszej instrukcji i wykonywać czynności zgodne z krokami i środkami ostrożności w zakresie ładowania. Nieprawidłowe ładowanie może doprowadzić do nagrzania i uszkodzenia akumulatora, a nawet do obrażeń u ludzi.
- 2) Pod żadnym pozorem nie należy podejmować prób otwierania ani demontażu akumulatora. Jeżeli dojdzie do wycieku z akumulatora i kontaktu cieczy z oczami, należy je przepłukać czystą wodą i niezwłocznie skontaktować się z lekarzem.



### **Ostrzeżenie**

- 1) Należy dążyć do starania, by urządzenie było stabilne, należy unikać gwałtownego potrząsania.
- 2) Nie należy używać ani przechowywać urządzenia w środowisku, w którym występuje temperatura niedopuszczalna dla urządzenia.
- 3) Nie należy wystawiać niniejszego urządzenia na bezpośrednie działanie żadnych źródeł promieniowania takich jak słońce, lasery, czy

zgrzewarka punktowa.

- 4) Nie należy zakrywać wylotów urządzenia.
- 5) Nie należy uderzać, rzucać ani wprowadzać w wibracje urządzenia i jego akcesoriów, w przeciwnym razie może to spowodować wystąpienie uszkodzeń.
- 6) Nie należy demontować urządzenia, w przeciwnym razie zostanie może dojść do jego uszkodzenia, a gwarancja ulegnie wygaśnięciu.
- 7) Nie należy stosować płynów rozpuszczalnych ani zbliżonych płynów do urządzenia lub jego kabli, w przeciwnym razie może dojść do ich uszkodzenia.
- 8) Nie należy używać urządzenia w środowisku, w którym występuje temperatura niedopuszczalna dla urządzenia; w przeciwnym wypadku może dojść do jego uszkodzenia.
- 9) W trakcie czyszczenia urządzenia należy postępować zgodnie z poniższymi wskazówkami:
  - Powierzchnie nieoptyczne: Jeżeli to konieczne, przy wycieraniu powierzchni nieoptycznych urządzenia należy użyć czystej i miękkiej szmatki.
  - Powierzchnie optyczne: Należy unikać zanieczyszczania powierzchni optycznej

obiektywu w trakcie użytkowania. W szczególności nie należy nigdy dotykać obiektywu dłońmi, w przeciwnym wypadku pot obecny na dłoniach może doprowadzić do powstawania śladów na szkle obiektywu, a następnie do występowania korozji powłoki optycznej na szklanej powierzchni. Jeżeli dojdzie do zanieczyszczenia części optycznej obiektywu, należy użyć specjalnego papieru do obiektywu i delikatnie ją przetrzeć.



- 10) Nie należy umieszczać akumulatora w otoczeniu, w którym panuje wysoka temperatura, ani blisko jakichkolwiek obiektów generujących wysoką temperaturę.
- 11) Należy unikać zwarcia pomiędzy dodatnim i ujemnym biegunem akumulatora.
- 12) Nie należy umieszczać akumulatora w środowisku o wysokiej wilgotności ani w wodzie.
- 13) Akumulator należy ładować tylko z wykorzystaniem oryginalnego zasilacza lub ładowarki (należy odnosić się do faktycznych przedmiotów umieszczonych w oryginalnym opakowaniu).



## **Informacja**

- 1) Nie należy wystawiać urządzenia na oddziaływanie w zapyłonym lub wilgotnym otoczeniu. W trakcie użytkowania w otoczeniu, w którym występuje woda, urządzenie powinno być zabezpieczone przed opryskaniem wodą. Jeżeli urządzenie nie jest używane, należy chronić obiektyw za pomocą pokrywy;
- 2) Gdy urządzenie nie jest użytkowane, należy przechowywać je i wszystkie akcesoria w specjalnym opakowaniu.

**- Wykaz elementów -**

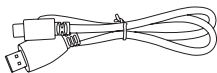
| Nr ser. | Nazwa               | Ilość  |
|---------|---------------------|--------|
| 1       | Przenośna torba     | 1 szt. |
| 2       | Akumulator 18650    | 1 szt. |
| 3       | Przewód micro USB   | 1 szt. |
| 4       | Przewód wideo       | 1 szt. |
| 5       | Pasek na nadgarstek | 1 szt. |
| 6       | Ładowarka 18650     | 1 szt. |



Przenośna torba



Akumulator 18650



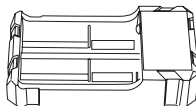
Przewód micro USB



Przewód wideo



Pasek na nadgarstek

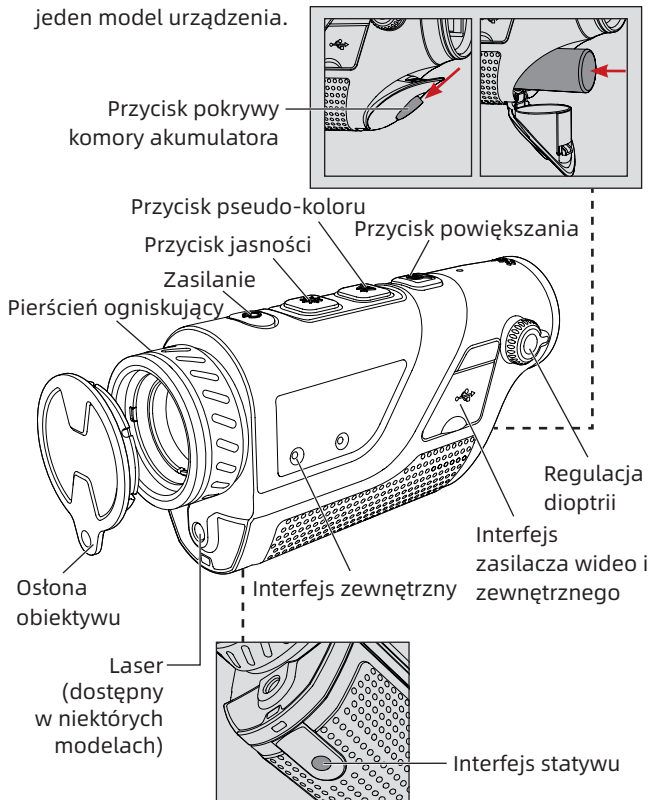


Ładowarka 18650



## - Przegląd części składowych produktu -

Niniejsza instrukcja ma zastosowanie do różnych modeli z tej serii. Jako przykład, na zdjęciu przedstawiony został tylko jeden model urządzenia.



### **1. Pierścień ogniskujący**

Po włączeniu kamera termowizyjna powinna być zorientowana na cel. Obraz może się rozmywać, gdy zmienia się dystans do obserwowanego celu. W takiej sytuacji należy wyregulować obraz celu pierścieniem ogniskującym do momentu, aż będzie wyraźny.

### **2. Osłona obiektywu**

Aby chronić obiektyw, należy zakładać na niego pokrywę w momentach, gdy produkt nie jest używany!

### **3. Interfejs USB typu C**

Urządzenie można podłączyć do zewnętrznego źródła zasilania za pomocą kabla USB znajdującego się wewnątrz opakowania w celu włączenia maszyny.

Zewnętrzne źródło zasilania powinno generować na wyjściu 5V i 2 A.

Do ekranu urządzenia można również podłączyć kabel wideo znajdujący się wewnątrz opakowania, przesyłając obrazy z kamery termowizyjnej do zewnętrznego monitora.

### **4. Pokrywa akumulatora**

Gdy używany jest akumulator, jest to wejście do jego demontażu i montażu.

Naciśnij przycisk pokrywy komory akumulatora i przesunij przycisk w dół, aby ją otworzyć, a następnie zainstaluj akumulator zgodnie ze znakami biegunów dodatnich i ujemnych.

**⚠ Uwaga: Należy zamontować akumulator zorientowany, jak przedstawiono to na rysunku, nie należy popychać go z dużą siłą.**

## **5. Interfejs statywu**

Standardowy interfejs 1/4", kompatybilny z PTZ.

**- Skrócona instrukcja obsługi -**

| [Przyciski]            | Bieżący stan sprzętu             | Krótkie przyciśnięcie                                       | Długie przyciśnięcie  |
|------------------------|----------------------------------|---|---|
| Zasilanie              | Uruchomienie (Pasek menu ukryty) | Kompensacja   | Wyświetlacz wył   |
|                        | Wyłączenie                       | /   | Uruchomienie  |
| Przycisk jasności      | Ukryty pasek menu                | Przełącz jasność ekranu                                     | Przełącz tryby sceny  |
|                        | Widoczny pasek menu              | Przełącz opcje menu   | /   |
| Przycisk pseudo-koloru | Ukryty pasek menu                | Przełączanie ustawiania barw                                | Wejść do menu   |
|                        | Widoczny pasek menu              | Potwierdź bieżącą opcję i wróć do poprzedniego poziomu menu | Powrót do poprzedniego poziomu menu lub wyjście z menu bez zapisywania bieżących ustawień |
| Przycisk powiększania  | Ukryty pasek menu                | Przełącz na powiększenie                                    | Wyłącz/włącz śledzenie hotspotu   |
|                        | Widoczny pasek menu              | Ruch menu   | /   |

**[Opis przycisków]****1. Zasilanie****• Uruchomienie**

Naciśnij i przytrzymaj przycisk zasilania, aż w okularze pojawi się obraz startowy wskazujący na pomyślne uruchomienie urządzenia.

**• Wyłączenie**

Ręczne wyłączenie: naciśnij i przytrzymaj przycisk zasilania, aby wyświetlić pasek postępu wyłączenia. Gdy pasek postępu pokaże pięć segmentów, zwolnij przycisk zasilania, a urządzenie zostanie pomyślnie wyłączone.

Automatyczne wyłączenie: Jeżeli w okresie czasu odpowiednim dla automatycznego wyłączenia nie zostanie wykonana żadna czynność na urządzeniu, urządzenie zostanie automatycznie wyłączone.

**• Wyświetlacz wył**

Naciśnij i przytrzymaj przycisk zasilania, aby wyświetlić pasek postępu wyłączenia. Zanim pasek postępu znajdzie się w pierwszych czterech segmentach, zwolnij przycisk zasilania i możesz anulować wyłączenie. Urządzenie uruchomi tryb wyłączenia wyświetlacza.

- **Wyświetlacz wł**

Aby aktywować ekran, wystarczy wcisnąć jeden z przycisków w trybie Wyświetlacz wył.

- **Kompensacja**

Gdy urządzenie uruchomi się, a menu nie zostanie wywołane, naciśnij przycisk On/Off, aby zakończyć odpowiednie działania.

## **2. Przycisk jasności**

- **Reguluj jasność ekranu**

Naciśnij przycisk jasności, aby zmienić poziom jasności ekranu.

- **Przełącz tryby sceny**

Naciśnij i przytrzymaj przycisk jasności, aby przełączyć tryby sceny urządzenia.

## **3. Przycisk pseudo-koloru**

- **Przełączanie ustawiania barw**

Naciśnij przycisk pseudo-koloru, a następnie możesz przełączyć sprzęt między trybami białego gorącego, czarnego gorącego, czerwonego, żelaznego czerwonego i niebieskiego gorącego.

- **Menu**

Naciśnij i przytrzymaj przycisk pseudo-koloru, aby otworzyć menu. Po wywołaniu menu naciśnij przycisk MENU, aby potwierdzić bieżącą opcję i

powrócić do poprzedniego poziomu menu; naciśnij i przytrzymaj przycisk MENU, aby powrócić do poprzedniego poziomu menu lub wyjść z menu bez zapisywania bieżących ustawień.

#### **4. Przycisk powiększania**

- **Powiększ**

Gdy urządzenie uruchomi się, a menu nie zostanie wywołane, naciśnij przycisk powiększenia, aby przełączyć funkcję powiększenia i obrazu w obrazie.

- **Śledzenie punktu dostępowego**

Naciśnij i przytrzymaj przycisk, aby włączyć przełącznik śledzenia punktu dostępowego (hotspotu).

### **[ Opis funkcji ]**

#### **1. Wyjście wideo**

Za pomocą tego przycisku można włączyć lub wyłączyć przełącznik wyjścia wideo urządzenia.

#### **2. WiFi**

Włącz przełącznik WiFi. Po podłączeniu sprzętu do klienta mobilnego można przesyłać wideo w czasie rzeczywistym do klienta mobilnego i obsługiwać sprzęt za pomocą aplikacji.

**Uwaga: Należy znaleźć aplikację „TargetIR” w**

sklepach z aplikacjami i pobrać ją. Włączyć aplikację, odnaleźć nazwę sieci WiFi „HandHeld-TI-xxxx” w ustawieniach WiFi swojego telefonu komórkowego i wprowadzić hasło „12345678”, aby pomyślnie podłączyć urządzenie. Po wykonaniu tych kroków, można wykonywać czynności zdalnie.

### **3. Kursor lasera (dostępny w niektórych modelach)**

Można włączyć lub przełączyć kursor laserowy na kolory czerwony, żółty i niebieski.

### **4. Poprawa jakości obrazu (dostępne w niektórych modelach)**

Po aktywowaniu tej funkcji, efekty podświetlonego celu zostaną wzmocnione.

### **5. Kontrast obrazu**

Kontrast obrazu można regulować na pięciu poziomach.

**⚠ Uwaga: Ostatni kontrast zostanie zapisany w bieżącym trybie sceny.**

### **6. Jasność obrazu**

Jasność można regulować na pięciu poziomach.

**⚠ Uwaga: Ostatni poziom zostanie zapisany w bieżącym trybie sceny.**

### **7. Śledzenie punktu dostępowego**

Po aktywowaniu tej funkcji, pojawi się biały krzyżyk do śledzenia punktu o najwyższej wartości temperatury na



całym obrazie.

## **8. Tryb sceny**

Można przestawiać tryb danej sceny na naturalny/ulepszony/podświetlony.

## **9. Automatyczny tryb uśpienia**

Można ustawić czas automatycznej drzemki na 5/10/15 minut. Jeżeli w ustalonym przedziale czasu na urządzeniu nie zostanie wykonana żadna czynność, urządzenie automatycznie przejdzie w tryb drzemki.

## **10. Automatyczne wyłączenie**

Można ustawić czas automatycznego wyłączenia na 15/30/60 minut. Jeżeli w ustalonym przedziale czasu na urządzeniu nie zostanie wykonana żadna czynność, urządzenie zostanie automatycznie wyłączone.

## **11. Bluetooth**

Można ustawić przełącznik Bluetooth. Po włączeniu przełącznika Bluetooth można sterować urządzeniem za pomocą pilota zdalnego sterowania Bluetooth.

## **12. Wskaźnik pracy urządzenia**

Wskaźnik operacji można włączyć lub wyłączyć.

## **- Ogólna instrukcja rozwiązywania problemów -**

---

### **1. Brak możliwości uruchomienia urządzenia**

Rozwiązanie: Wymień akumulator lub podłącz urządzenie do zasilacza

### **2. W trakcie pracy urządzenia ekran jest wyłączony**

Rozwiązanie: Wcisnąć dowolny przycisk, by zakończyć tryb drzemki i podświetlić ekran

### **3. Obrazy uchwycone przez urządzenie są rozmyte**

Rozwiązanie: Obróć pierścień regulacji ostrości aż wyświetlacz będzie wyraźny

## **- Transport i przechowywanie -**

---

Poniższe informacje przedstawiono celem opisanego właściwego sposobu przechowywania i transportowania niniejszego produktu. Aby zapobiec ryzyku lub utracie mienia, należy uważnie przeczytać niniejszą instrukcję przed rozpoczęciem pracy i ściśle jej przestrzegać. Powinieneś również zachować go we właściwy sposób.

### **1. Przechowywanie**

- Po zapakowaniu produkt może być przechowywany w dobrze wentylowanej, czystej przestrzeni wewnętrznej o temperaturze od -30°C do 60°C, wilgotności względnej nie wyższej niż 95%, bez kondensacji i gazu korozyjnego.
- Co trzy miesiące należy wyciągnąć urządzenie i ładować akumulator.

### **2. Transport**

W trakcie transportu należy zabezpieczyć urządzenie przed deszczem i powodzią, a także nie należy go przewozić do góry dnem. Należy unikać gwałtownych wstrząsów i uderzeń. Z urządzeniem należy obchodzić się ze znaczną ostrożnością i nie należy nim nigdy rzucać.

**CN** 特别声明: 说明书版本将会在产品技术改进后更新。

**GB** Special statement: the version of the Guide will be updated after the technical improvement of the product.

**RU** Специальное заявление: версия руководства будет обновлена после технического усовершенствования продукта.

**DE** Besonderer Bemerkung: Die Version des Handbuchs kann nach der technischen Verbesserung des Produkts aktualisiert werden.

**FR** Déclaration particulière : Ce guide sera mis à jour après l'optimisation technologique du produit.

**IT** Dichiarazione speciale: La versione manuale sarà aggiornata dopo il miglioramento tecnico del prodotto.

**ES** Declaración especial: La versión del manual se actualizará después de la mejora técnica del producto.

**JP** 特記事項: 本マニュアルは、製品の技術改良につき更新されることがあります。

**KR** 특별 성명: 설명서 버전은 제품 기술 개선 후 업데이트될 예정입니다.

**PL** Oświadczenie specjalne: W przypadku wprowadzenia technologicznych ulepszeń w urządzeniu, niniejsza instrukcja zostanie zaktualizowana.